



Matte Black (Finish ID:19)

ROCHER SURFACE MOUNT DOOR PULL

Item Code	Size (mm & Inches)	Material	Size (Inches)				Fig.	
			A	B	C	D		
1	SDP.604.12".XX.XXX.XXXX.X	304.8mm (12")	Brass	18	0.98	12	2.24	1
2	SDP.604.18".XX.XXX.XXXX.X	457.2mm (18")	Brass	24	0.98	18	2.24	1
3	SDP.604.24".XX.XXX.XXXX.X	609.6mm (24")	Brass	30	0.98	24	2.24	1
4	SDP.604.30".XX.XXX.XXXX.X	762mm (30")	Brass	36	0.98	30	2.24	1
5	SDP.604.12".XX.XXX.XXXX.X	304.8mm (12")	Hammered over Brass	18	0.98	12	2.24	1
6	SDP.604.18".XX.XXX.XXXX.X	457.2mm (18")	Hammered over Brass	24	0.98	18	2.24	1
7	SDP.604.24".XX.XXX.XXXX.X	609.6mm (24")	Hammered over Brass	30	0.98	24	2.24	1
8	SDP.604.30".XX.XXX.XXXX.X	762mm (30")	Hammered over Brass	36	0.98	30	2.24	1

"XX" in item code denotes Finish ID.
 "XXX" in item code denotes Door Thickness.
 "XXXX" in item code denotes Door Material.
 "X" in item code denotes Front Fix or Back Fix.

This product is Supplied with Mounting Kit including with the Order.

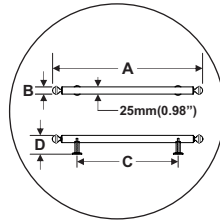


FIG. 1

How to Order

SDP.604.12".19.WOOD.1 3/4".BF

SURFACE MOUNT DOOR PULL ——— STYLE : ROCHER ——— SIZE : CC 12 INCH ——— FINISH ID : 19 ——— DOOR MATERIAL : WOOD ——— DOOR THICKNESS : 1 3/4 INCH ——— BACK FIX

Rocher Surface Mount Door Pull Finish Options

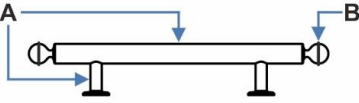
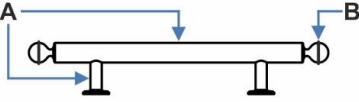
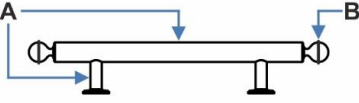
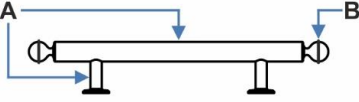
Base Material : Brass			Standard Finishes (2-3 Weeks Delivery)			
						
Bright Chrome (Finish ID:2)	Brush Nickel (Finish ID:3)	Aged Brass (Finish ID:4)	Unlacquered Polished Brass (Finish ID:7U)	Polished Nickel (Finish ID:8)	Satin Brass (Finish ID:13)	
Base Material : Brass			Custom Finishes (3-4 Weeks Delivery)*			
						
Lacquered Polished Brass (Finish ID:7L)	Hammered over Brush Nickel (Finish ID:12-3)	Hammered over Aged Brass (Finish ID:12-4)	Hammered over Polished Nickel (Finish ID:12-8)	Hammered over Satin Brass (Finish ID:12-13)	Matte Black (Finish ID:19)	Split Black and Polished Nickel (Finish ID:48)
						
Graphite (Finish ID:61)	Split Brush Nickel and Satin Brass (Finish ID:78)	Split Graphite and Satin Brass (Finish ID:90)	Split Graphite and Brush Chrome (Finish ID:91)	Ombre (Finish ID:92)	Brush Chrome (Finish ID:95)	

Front Fix (FF)	
Door Material	Door Thickness
1. Wood	1", 1 1/4", 1 1/2", 1 3/4", 2", 2 1/4", 2 1/2"
2. Metal	1", 1 1/4", 1 1/2", 1 3/4", 2", 2 1/4", 2 1/2"
Back Fix (BF)	
Door Material	Door Thickness
1. Wood	5/16", 3/8", 1/2", 3/4", 1", 1 1/4", 1 1/2", 1 3/4", 2", 2 1/4", 2 1/2"
2. Metal	5/16", 3/8", 1/2", 3/4", 1", 1 1/4", 1 1/2", 1 3/4", 2", 2 1/4", 2 1/2"
3. Glass	5/16", 3/8", 1/2", 3/4", 1"

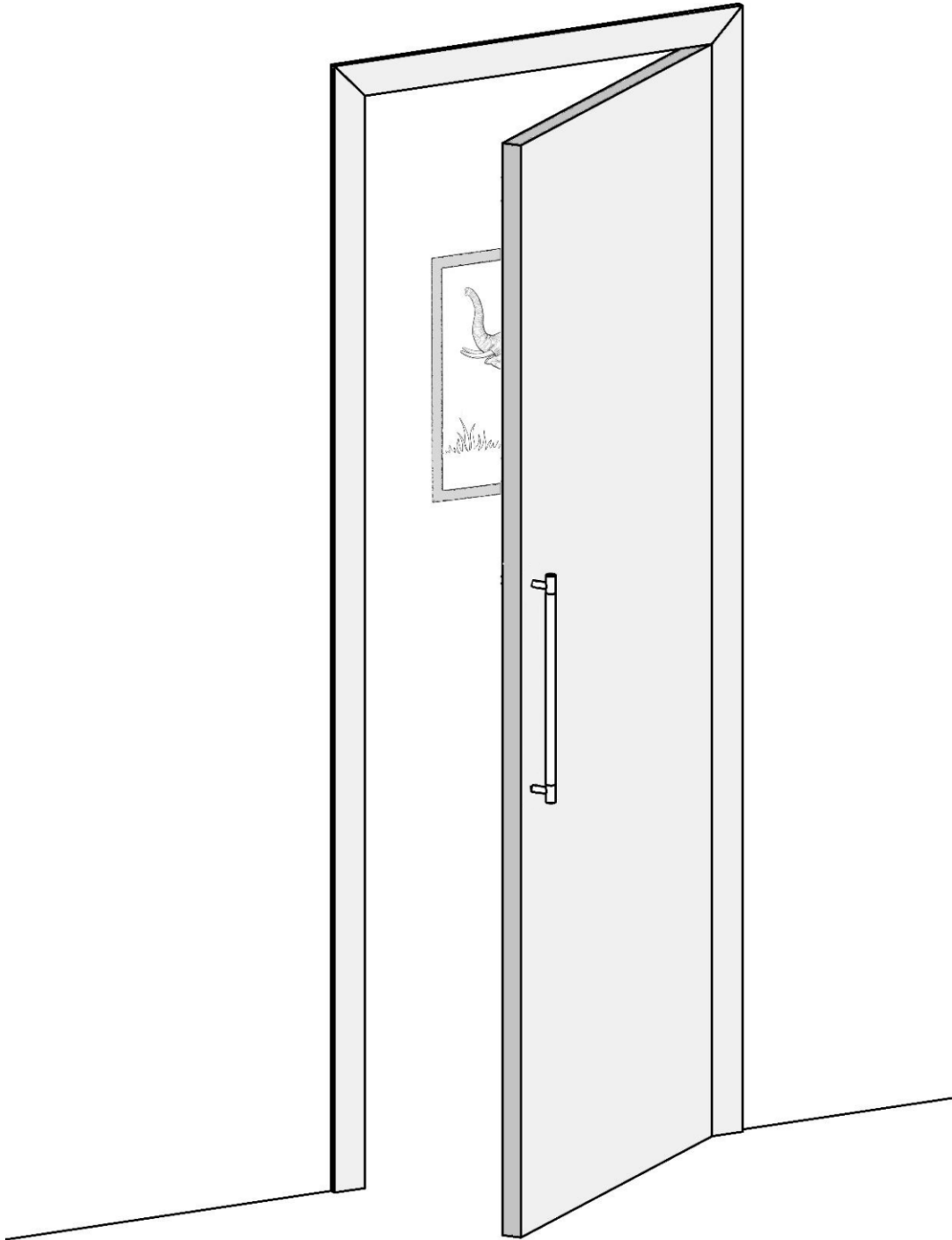
- Custom finishes cannot be returned or refunded. We are unable to accept cancellations for custom finish order unless within 48 hours of the order being placed.
- We have uniform pricing for all non-hammered finishes listed above as long as base material and size is same.
- Contact us for customized finishes, refer pages F1, F2, F3 & F4 for finish glossary.

Rocher Surface Mount Door Pull Split Finish

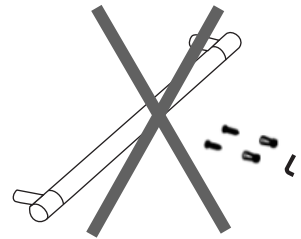
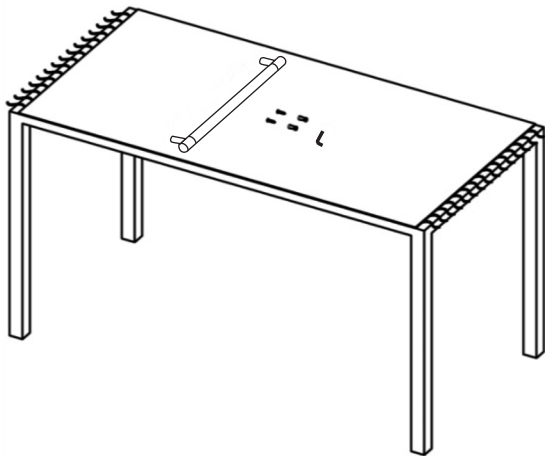
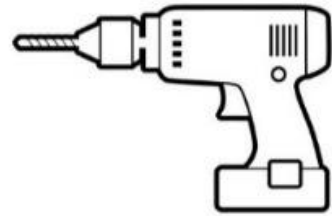
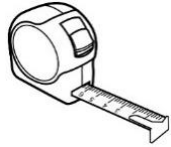
SDP.604.XX.XX

FINISH CODE (XX)	FINISH NAME	LINE DRAWING	A	B
SDP.604.XX.48	Split Black and Polished Nickel		Matte Black	Polished Nickel
SDP.604.XX.78	Split Brush Nickel and Satin Brass		Brush Nickel	Satin Brass
SDP.604.XX.90	Split Graphite and Satin Brass		Graphite	Satin Brass
SDP.604.XX.91	Split Graphite and Brush Chrome		Graphite	Brush Chrome

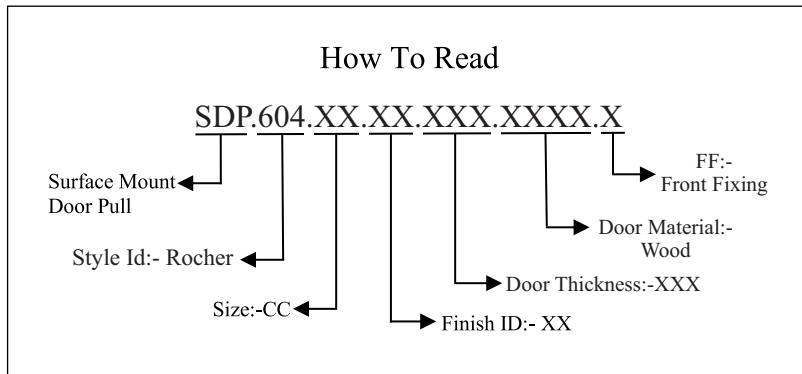
**SURFACE MOUNT FRONT FIXING
HANDLE ILLUSTRATED**



Required Tools



Step Wise Packing List			
S. No.	Part Number	Qty.	Steps
1	SDP.604.XX.XX.XXX.XXXX.X	1x	1
2	SDP.FFPIN	2x	3
3	WSSSCSKPFH.XX	2x	3
4	LNKY. 2.5	1x	4
5	Manual	1x	-



SDP.604.XX.XX.XXX.XXXX.X



SDP.FFPIN

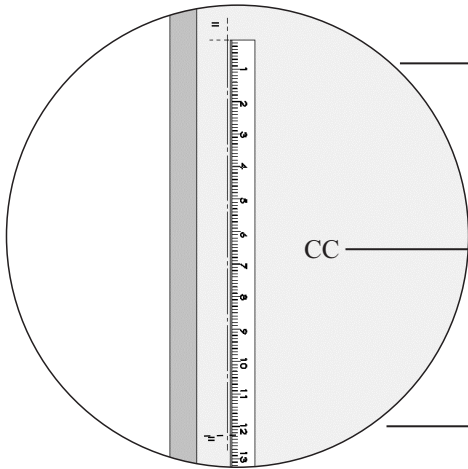
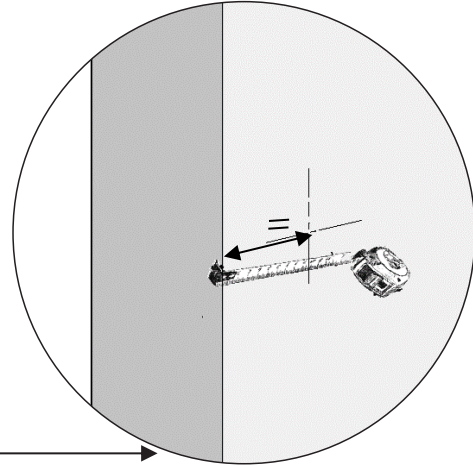
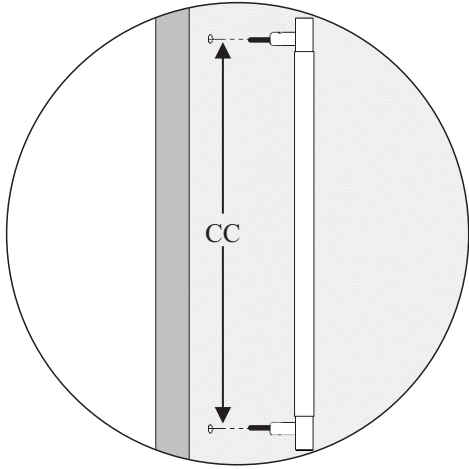


WSSSCSKPFH.XX



LNKY. 2.5

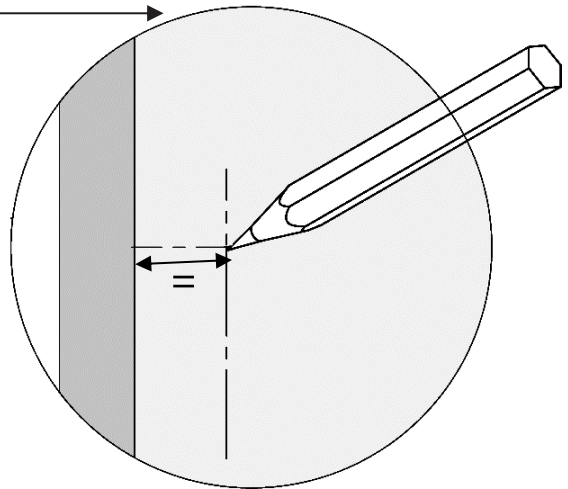
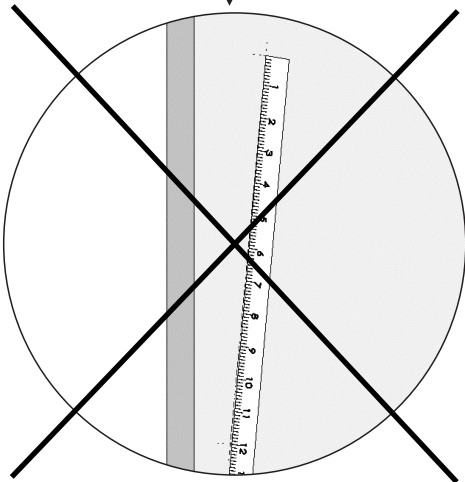
STEP-1



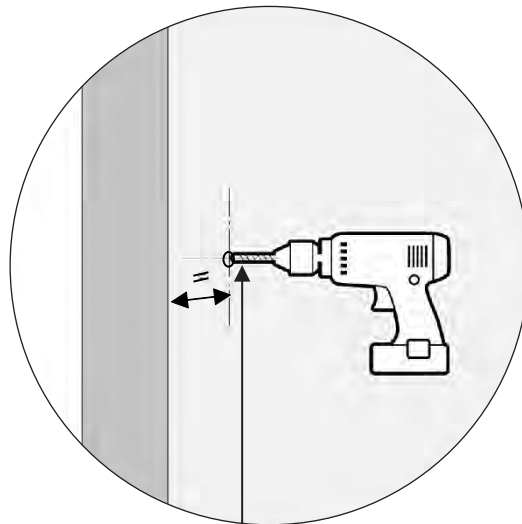
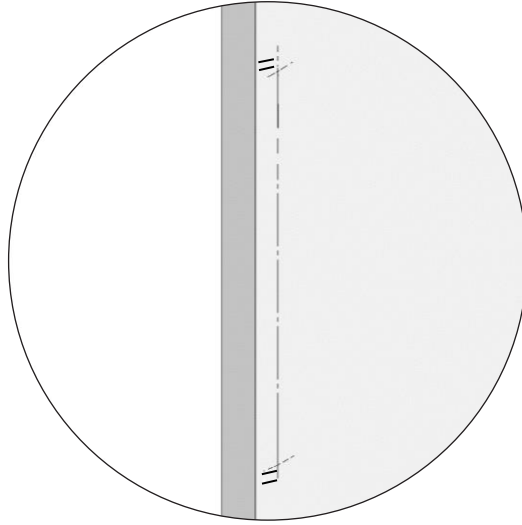
SDP.604.XX.XX.XXX.XXXX.X

Size:-CC

- 12"
- 18"
- 24"
- 30"



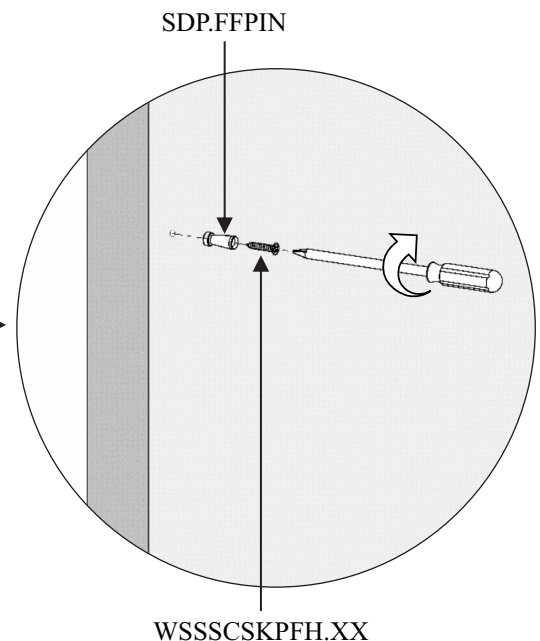
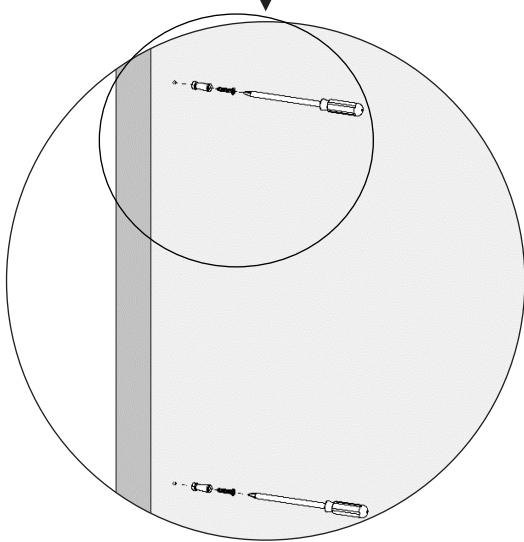
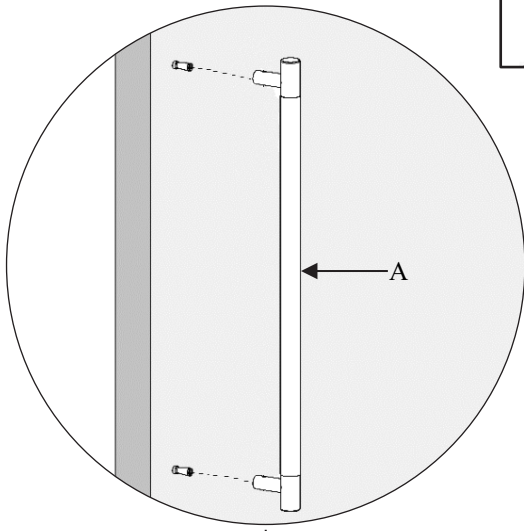
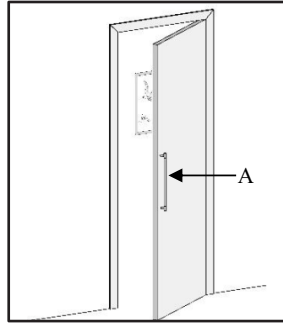
STEP-2



DRILL SIZE			
	Glass	Wood	Metal
SDP FF	N/A	1/10" (2.5mm)	N/A

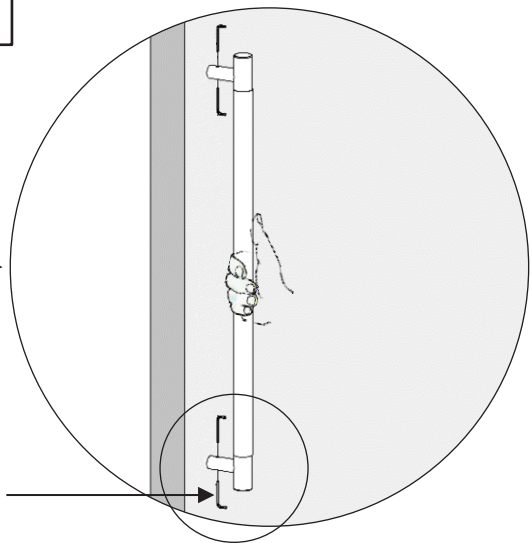
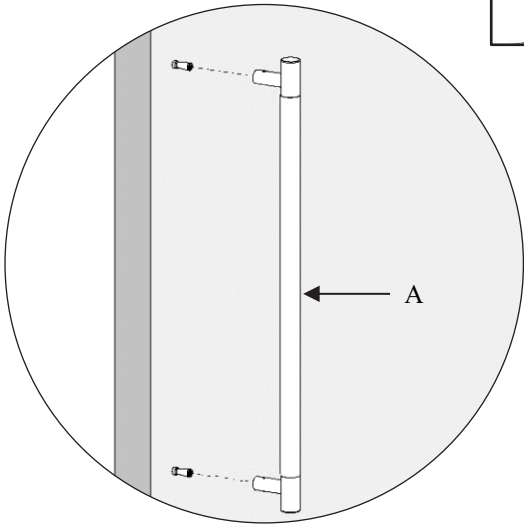
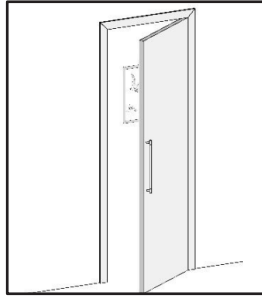
STEP-3

Step Wise Packing List			
S. No.	Part Number	Qty.	Steps
2	SDP.FFPIN	2x	3
3	WSSCSKPFH.XX	2x	3

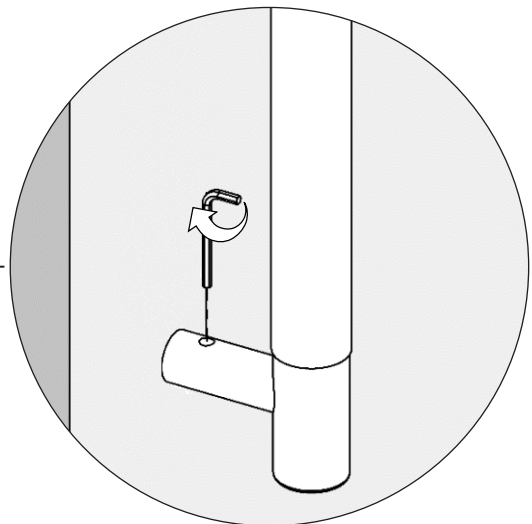
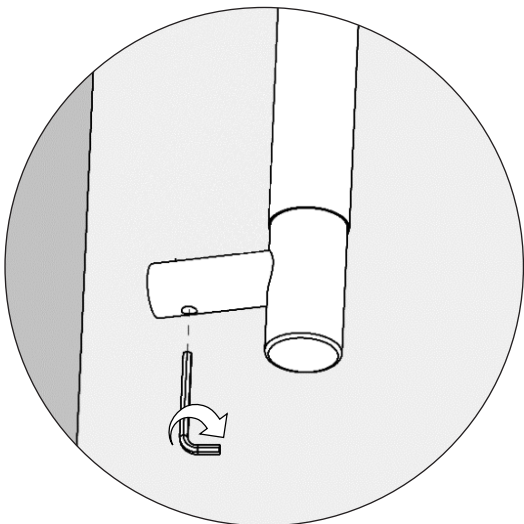


STEP-4

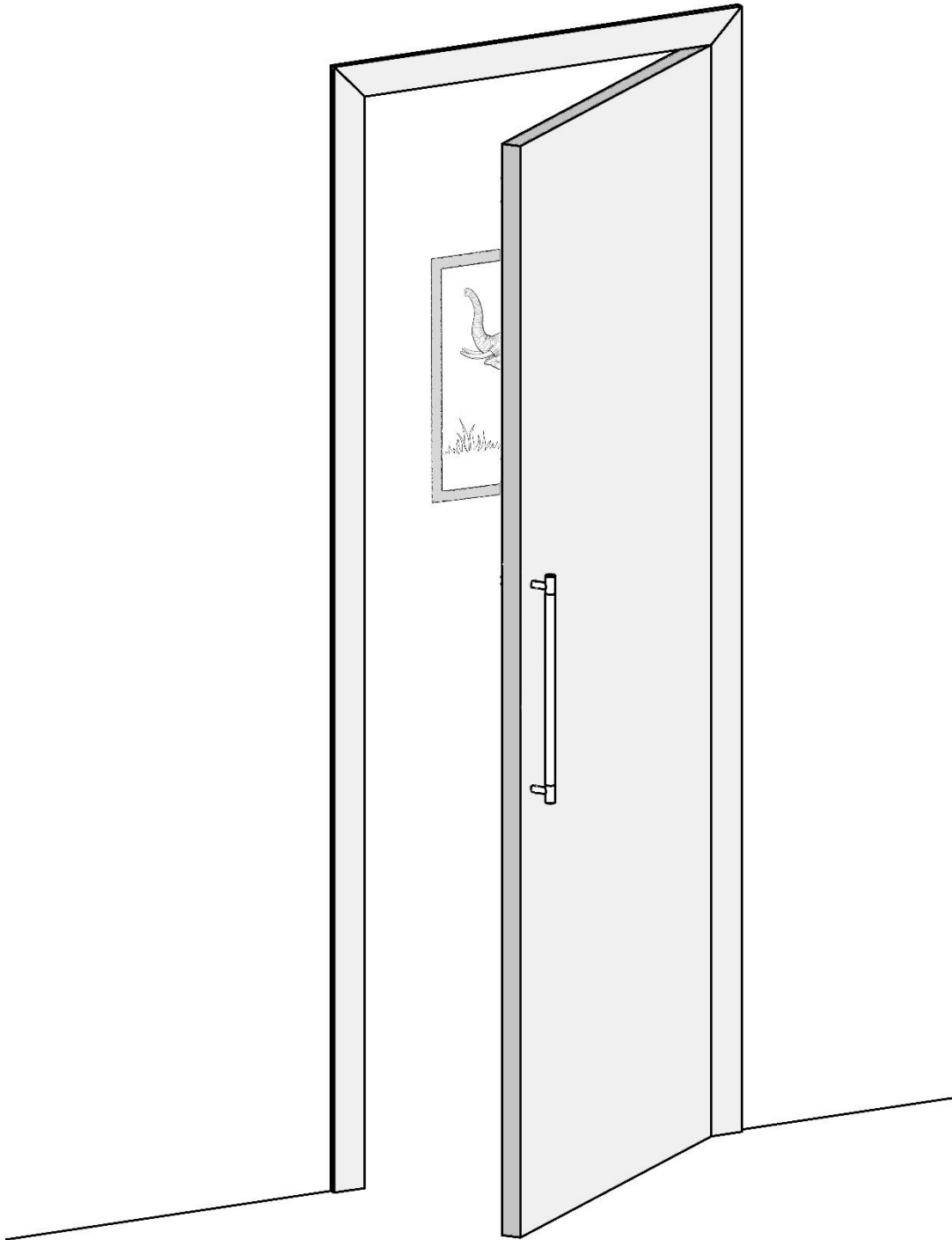
Step Wise Packing List			
S. No.	Part Number	Qty.	Steps
4	LNKY. 2.5	1x	4



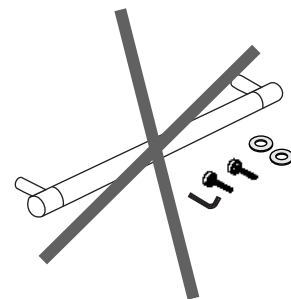
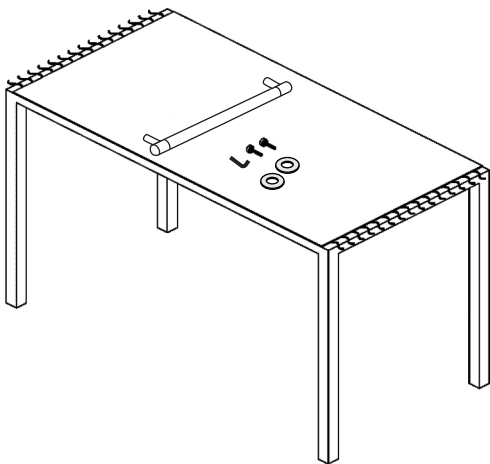
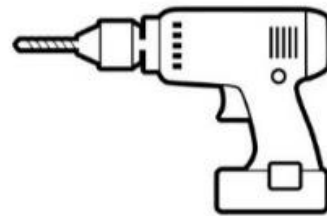
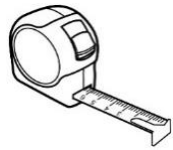
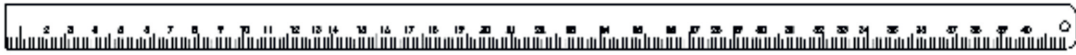
LNKY.2.5



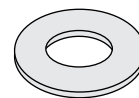
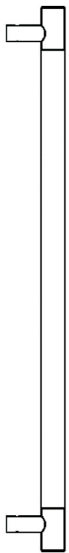
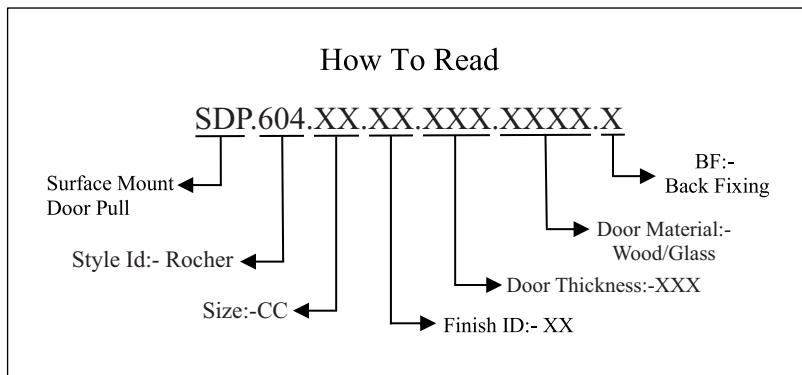
**SURFACE MOUNT BACK FIXING
HANDLE ILLUSTRATED**



Required Tools



Step Wise Packing List			
S. No.	Part Number	Qty.	Steps
1	SDP.604.XX.XX.XXX.XXXX.X	1x	1
2	SLEEVE	1x	3
3	MSCCSKPH.XX	2x	3
4	SDP.BUSH	2x	3
5	LNKY.4	1x	3
6	WASHER	2x	3
7	SDP.CAP	2x	4
8	Manual	1x	-



SDP.604.XX.XX.XXX.XXXX.X

MSCCSKPH.XX

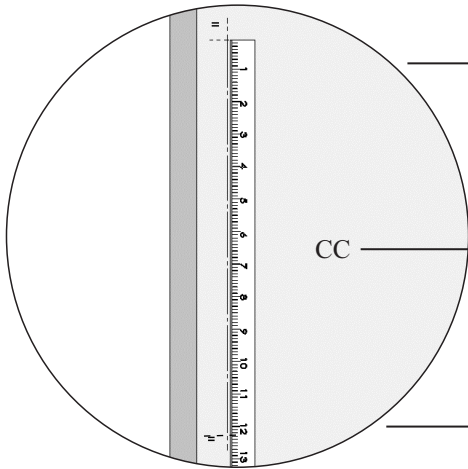
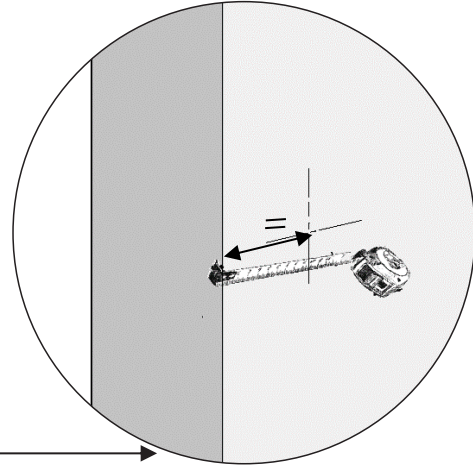
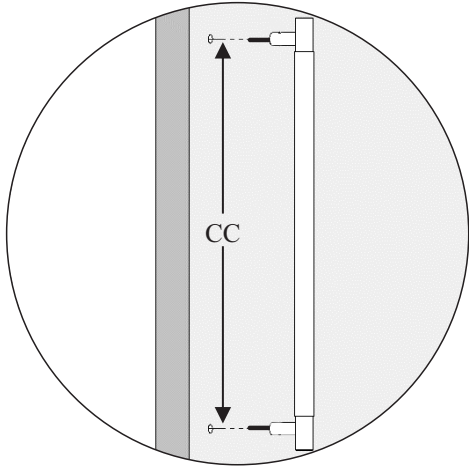
SDP.BUSH

LNKY 4

WASHER

SDP.CAP

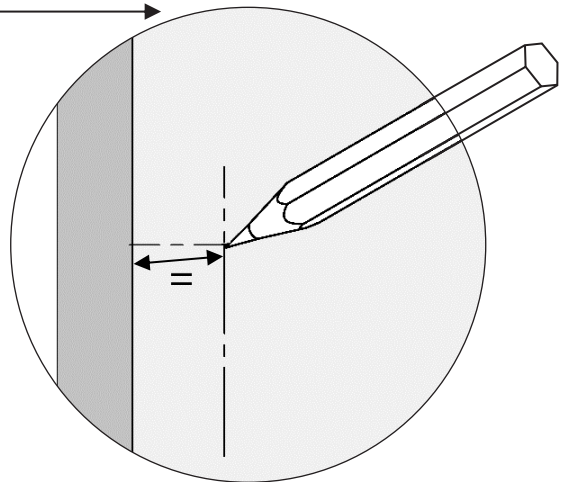
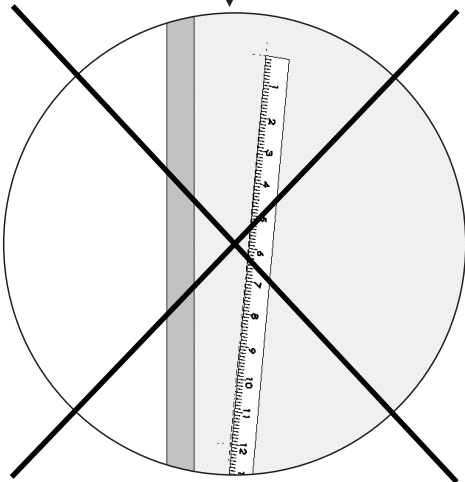
STEP-1



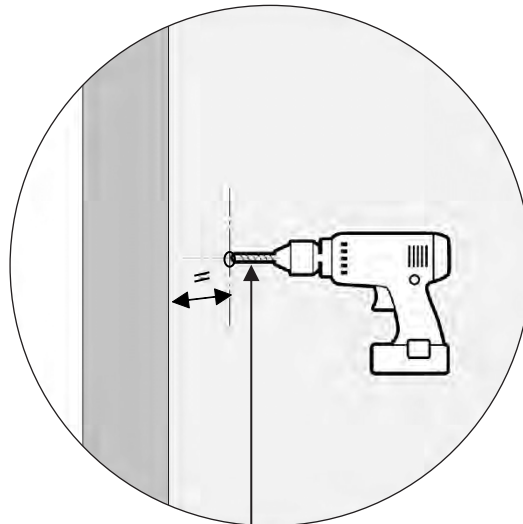
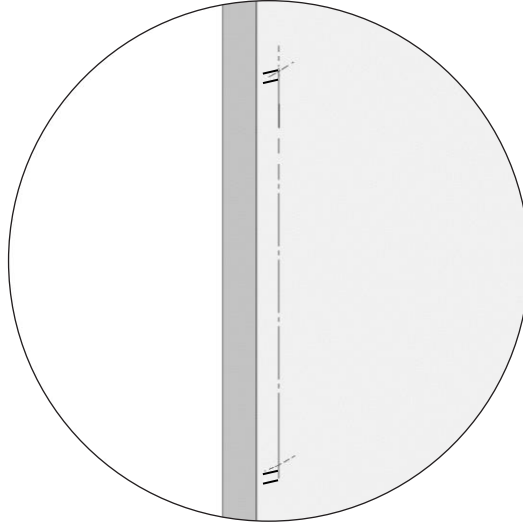
SDP.604.XX.XX.XXX.XXXX.X

Size:-CC

- 12"
- 18"
- 24"
- 30"



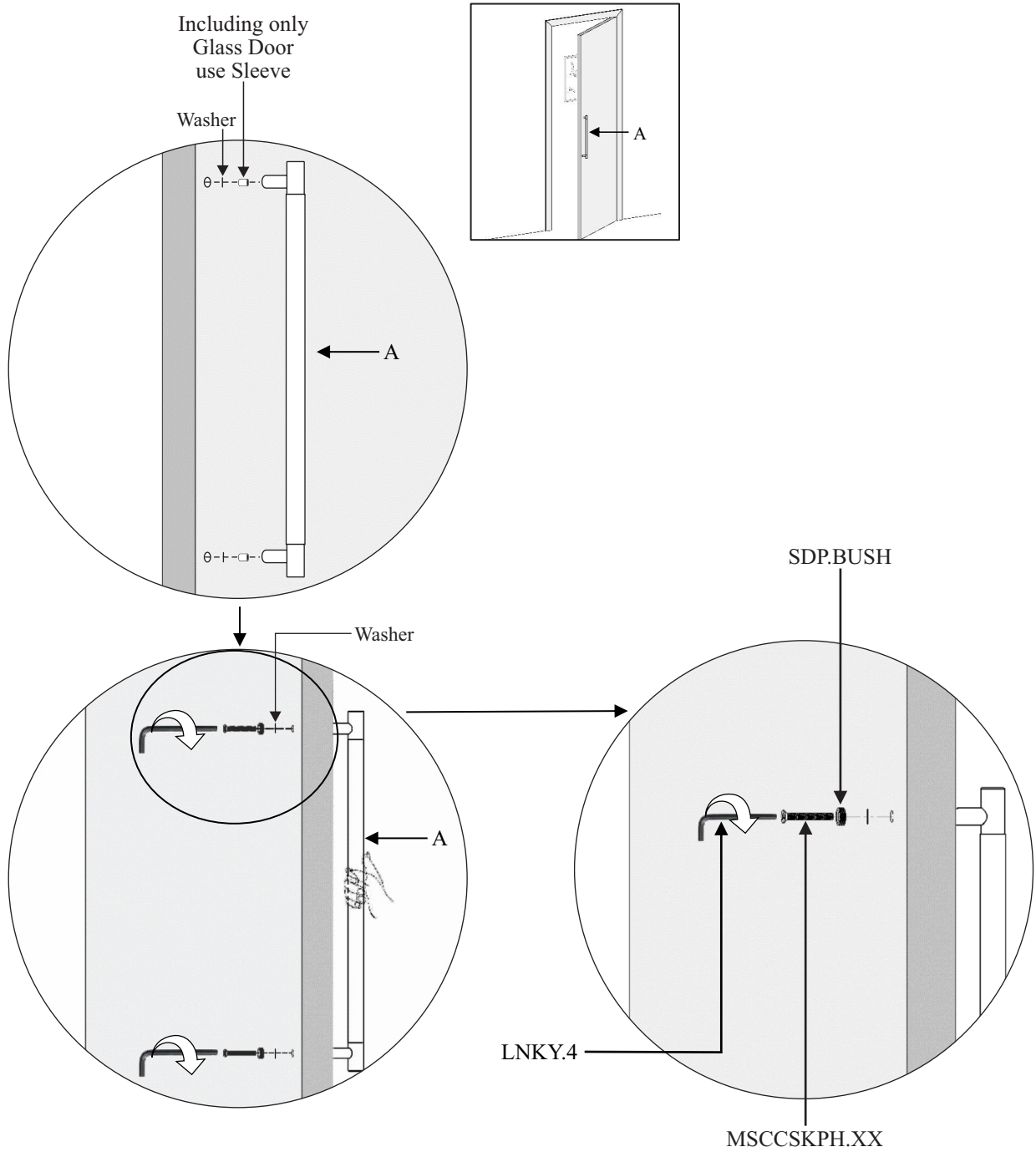
STEP-2



DRILL SIZE			
	Glass	Wood	Metal
SDP BF	3/8" (9.5mm)	1/4" (6.4mm)	1/4" (6.4mm)

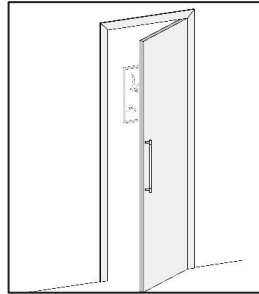
STEP-3

Step Wise Packing List			
S.No.	Part Number	Qty	Steps
2	SLEEVE	1x	3
3	MSCCSKPH.XX	2x	3
4	SDP.BUSH	2x	3
5	LNKY .4	1x	3
6	WASHER	2x	3



STEP-4

Step Wise Packing List			
S.No.	Part Number	Qty	Steps
7	SDP.CAP	2x	4



SDP.CAP

