



Matte Black (Finish ID:19)

THE DAMA SURFACE MOUNT SIDE BY SIDE DOOR PULL

	Item Code	Size (mm & Inches)	Material	Size (Inches)				Fig.
				A	B	C	D	
1	SDP.1005.12.5".XX.XXX.XXXX.X	317.5mm (12.5")	Brass	12.5	1.2	7	2.5	1
2	SDP.1005.12.5".XX.XXX.XXXX.X	317.5mm (12.5")	Bronze	12.5	1.2	7	2.5	1

"XX" in item code denotes Finish ID.

"XXX" in item code denotes Door Thickness.

"XXXX" in item code denotes Door Material.

"X" in item code denotes Front Fix or Back Fix.

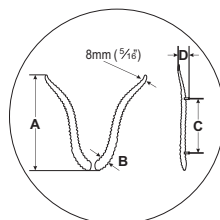
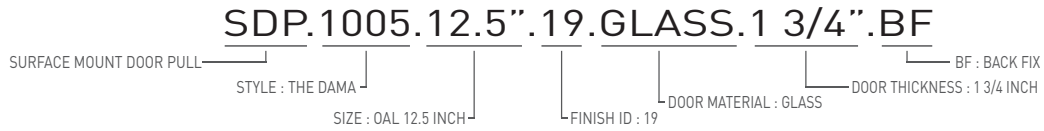


FIG. 1

This product is Supplied with Based on Front Fix or Back Fix Order.

How to Order



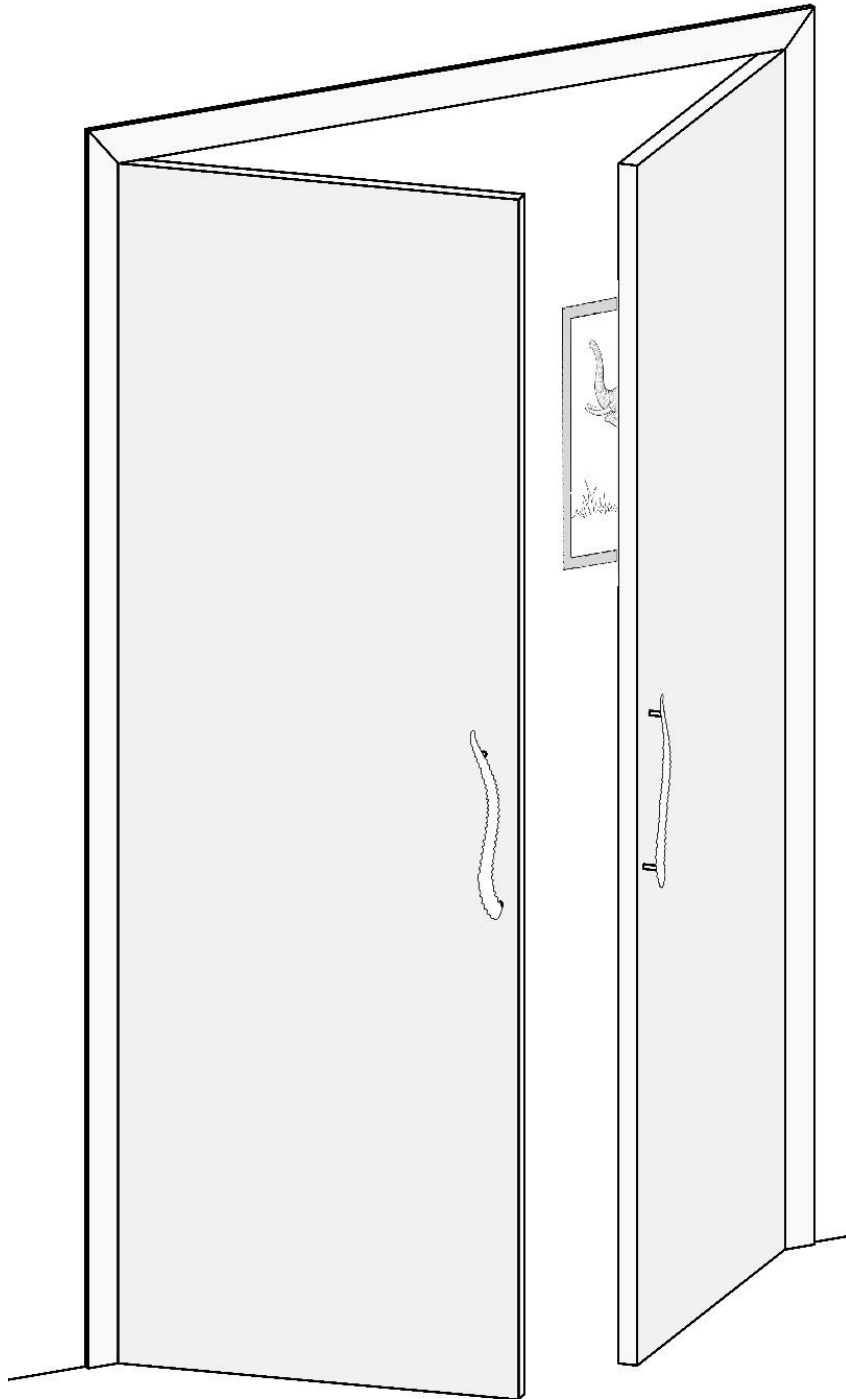
The Dama Surface Mount Side By Side Door Pull Finish Options

Base Material : Brass	Standard Finishes (2-3 Weeks Delivery)					
<table style="width: 100%; border: none;"> <tr> <td style="width: 20%; text-align: center; padding: 5px;"> Brush Nickel (Finish ID:3) </td> <td style="width: 20%; text-align: center; padding: 5px;"> Aged Brass (Finish ID:4) </td> <td style="width: 20%; text-align: center; padding: 5px;"> Unlacquered Polished Brass (Finish ID:7U) </td> <td style="width: 20%; text-align: center; padding: 5px;"> Polished Nickel (Finish ID:8) </td> <td style="width: 20%; text-align: center; padding: 5px;"> Satin Brass (Finish ID:13) </td> </tr> </table>		 Brush Nickel (Finish ID:3)	 Aged Brass (Finish ID:4)	 Unlacquered Polished Brass (Finish ID:7U)	 Polished Nickel (Finish ID:8)	 Satin Brass (Finish ID:13)
 Brush Nickel (Finish ID:3)	 Aged Brass (Finish ID:4)	 Unlacquered Polished Brass (Finish ID:7U)	 Polished Nickel (Finish ID:8)	 Satin Brass (Finish ID:13)		
Base Material : Brass	Custom Finishes (3-4 Weeks Delivery)*					
<table style="width: 100%; border: none;"> <tr> <td style="width: 50%; text-align: center; padding: 5px;"> Lacquered Polished Brass (Finish ID:7L) </td> <td style="width: 50%; text-align: center; padding: 5px;"> Matte Black (Finish ID:19) </td> </tr> </table>		 Lacquered Polished Brass (Finish ID:7L)	 Matte Black (Finish ID:19)			
 Lacquered Polished Brass (Finish ID:7L)	 Matte Black (Finish ID:19)					
Base Material : Bronze	Custom Finishes (3-4 Weeks Delivery)*					
<table style="width: 100%; border: none;"> <tr> <td style="width: 50%; text-align: center; padding: 5px;"> Silicon Bronze Light (Finish ID:53) </td> </tr> </table>		 Silicon Bronze Light (Finish ID:53)				
 Silicon Bronze Light (Finish ID:53)						

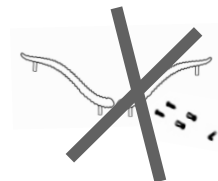
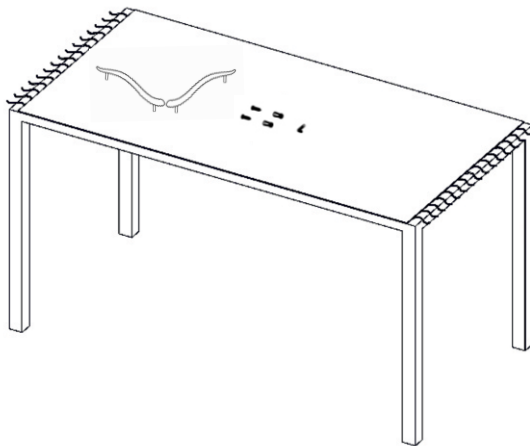
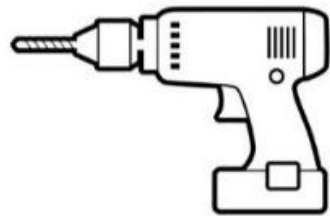
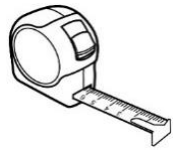
Front Fix (FF)	
Door Material	Door Thickness
1. Wood	1", 1 1/4", 1 1/2", 1 3/4", 2", 2 1/4", 2 1/2"
2. Metal	1", 1 1/4", 1 1/2", 1 3/4", 2", 2 1/4", 2 1/2"
Back Fix (BF)	
Door Material	Door Thickness
1. Wood	5/16", 3/8", 1/2", 3/4", 1", 1 1/4", 1 1/2", 1 3/4", 2", 2 1/4", 2 1/2"
2. Metal	5/16", 3/8", 1/2", 3/4", 1", 1 1/4", 1 1/2", 1 3/4", 2", 2 1/4", 2 1/2"
3. Glass	5/16", 3/8", 1/2", 3/4", 1"

- Custom finishes cannot be returned or refunded. We are unable to accept cancellations for custom finish order unless within 48 hours of the order being placed.
- We have uniform pricing for all non-hammered finishes listed above as long as base material and size is same.
- Contact us for customized finishes, refer pages F1, F2, F3 & F4 for finish glossary.

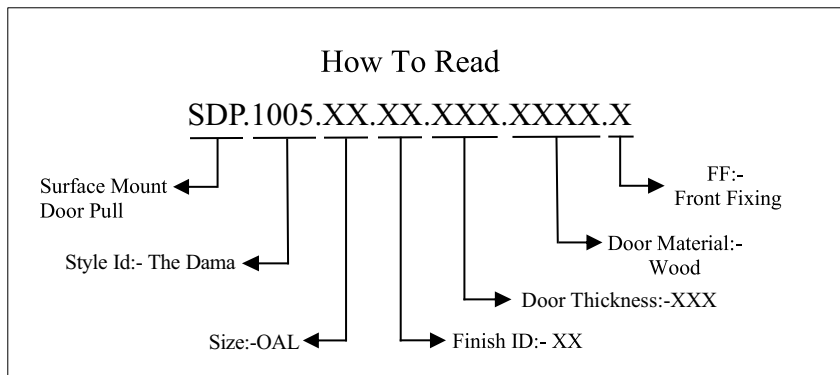
**SURFACE MOUNT FRONT FIXING
HANDLE ILLUSTRATED**



Required Tools



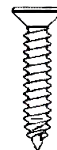
Step Wise Packing List			
S. No.	Part Number	Qty.	Steps
1	SDP.1005.XX.XX.XXX.XXXX.X	1x	1
2	SDP.FFPIN	2x	3
3	WSSCSKPFH.XX	2x	3
4	LNKY. 2.5	1x	4
5	Manual	1x	-



SDP.1005.XX.XX.XXX.XXXX.X



SDP.FFPIN

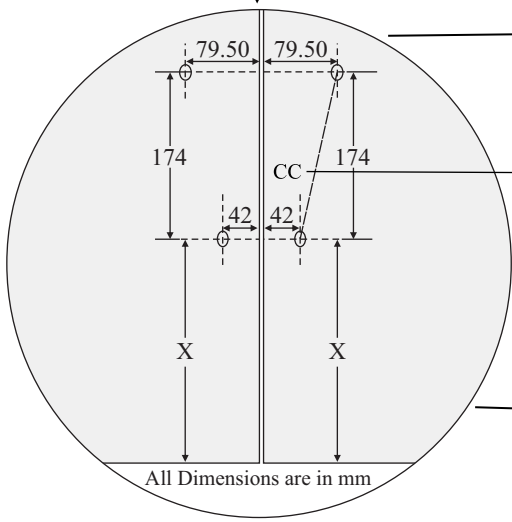
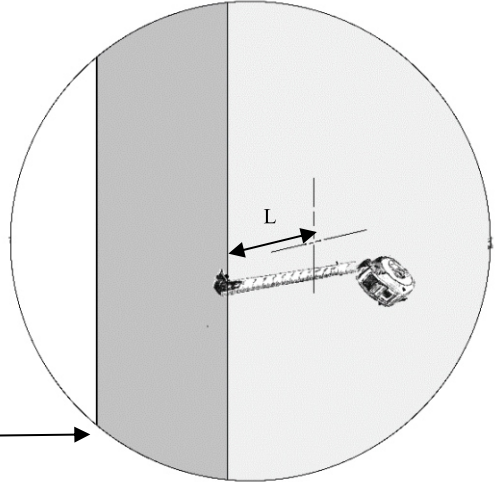
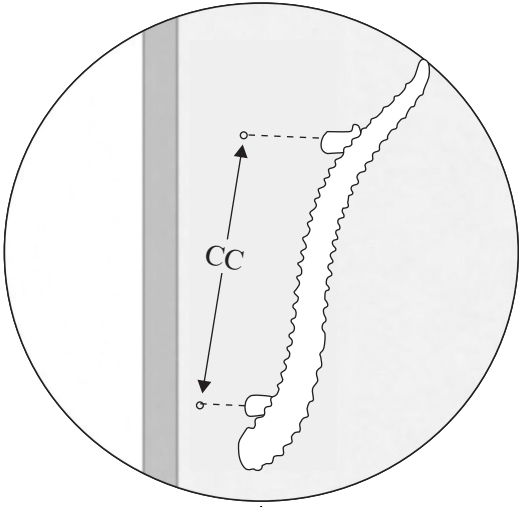


WSSCSKPFH.XX



LNKY. 2.5

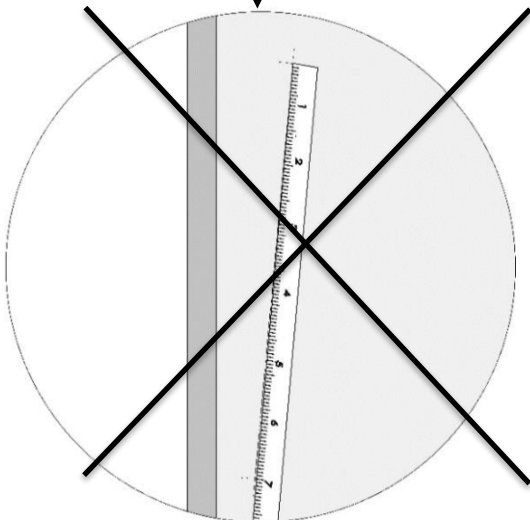
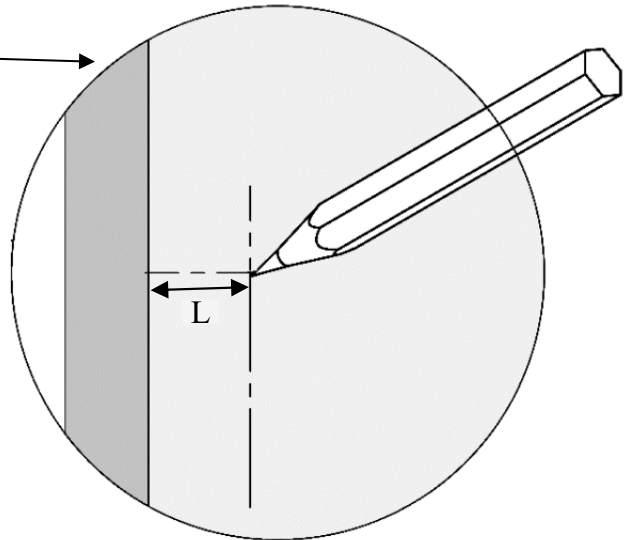
STEP-2



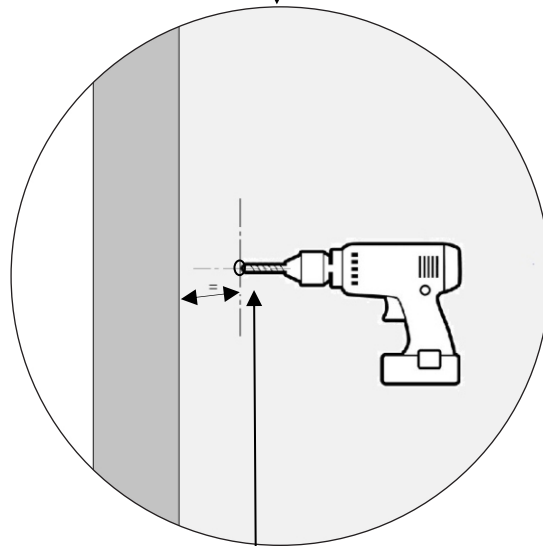
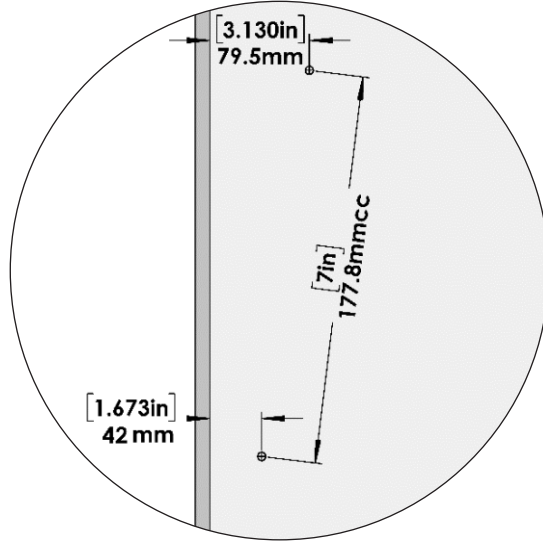
SDP.1005.XX.XX.XXX.XXXX.X

Size:-OAL

12.5"



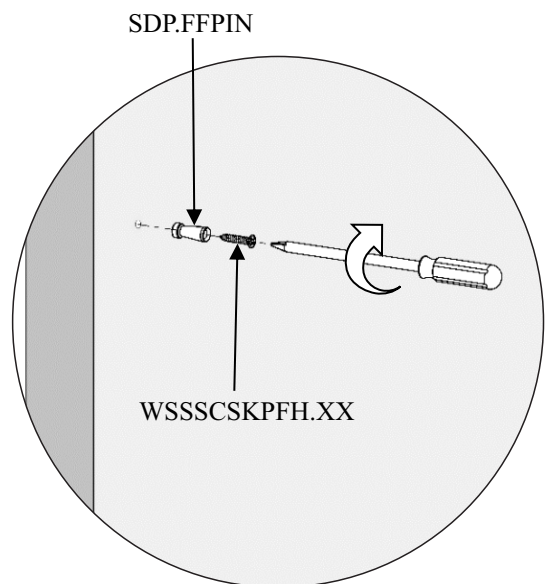
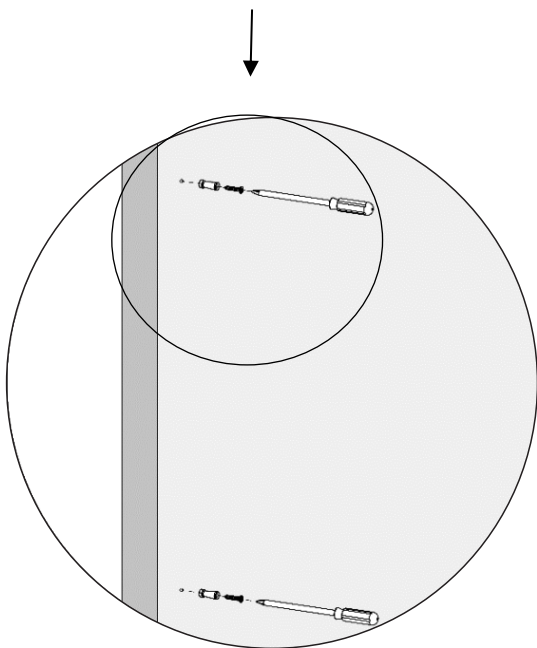
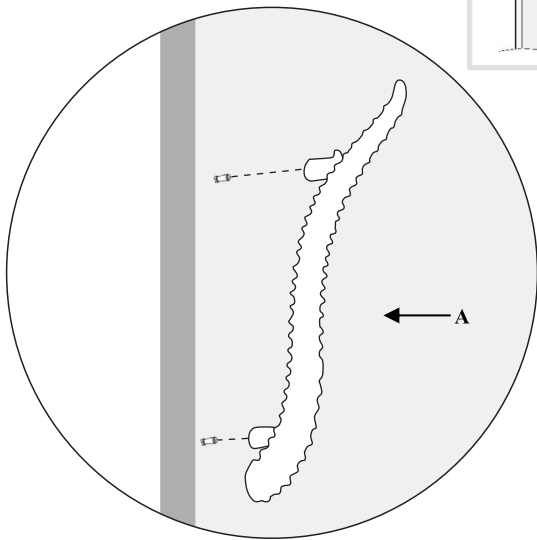
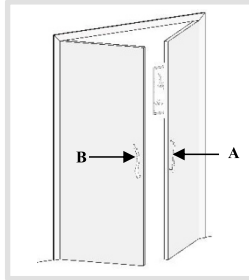
STEP-2



DRILL SIZE			
	Glass	Wood	Metal
SDP FF	N/A	1/10" (2.5mm)	N/A

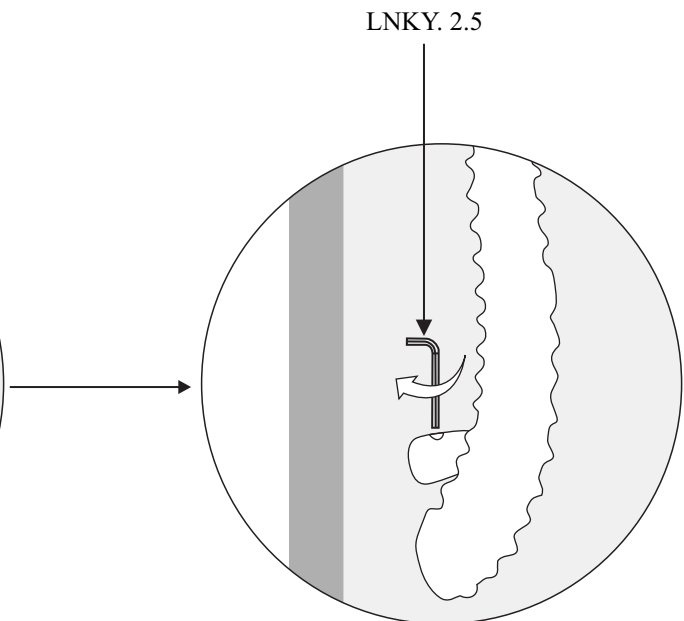
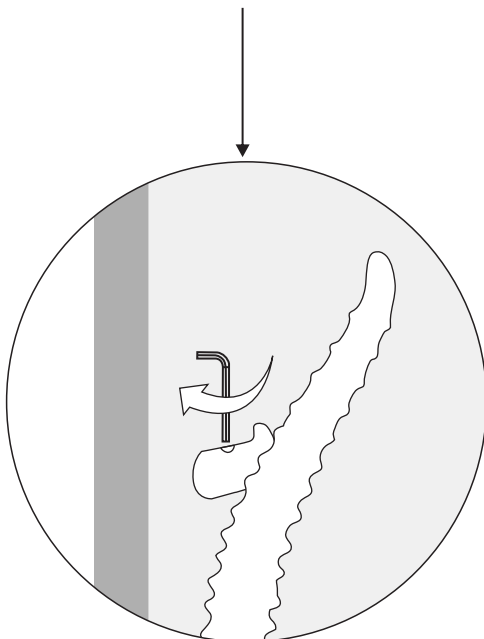
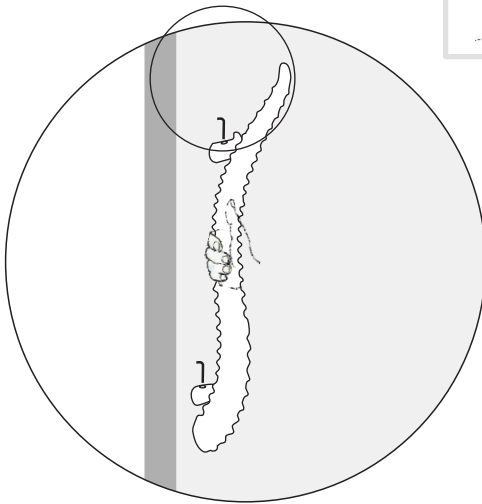
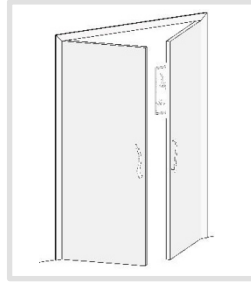
STEP-3

Step Wise Packing List			
S. No.	Part Number	Qty.	Steps
2	SDP.FFPIN	2x	3
3	WSSCSKPFH.XX	2x	3

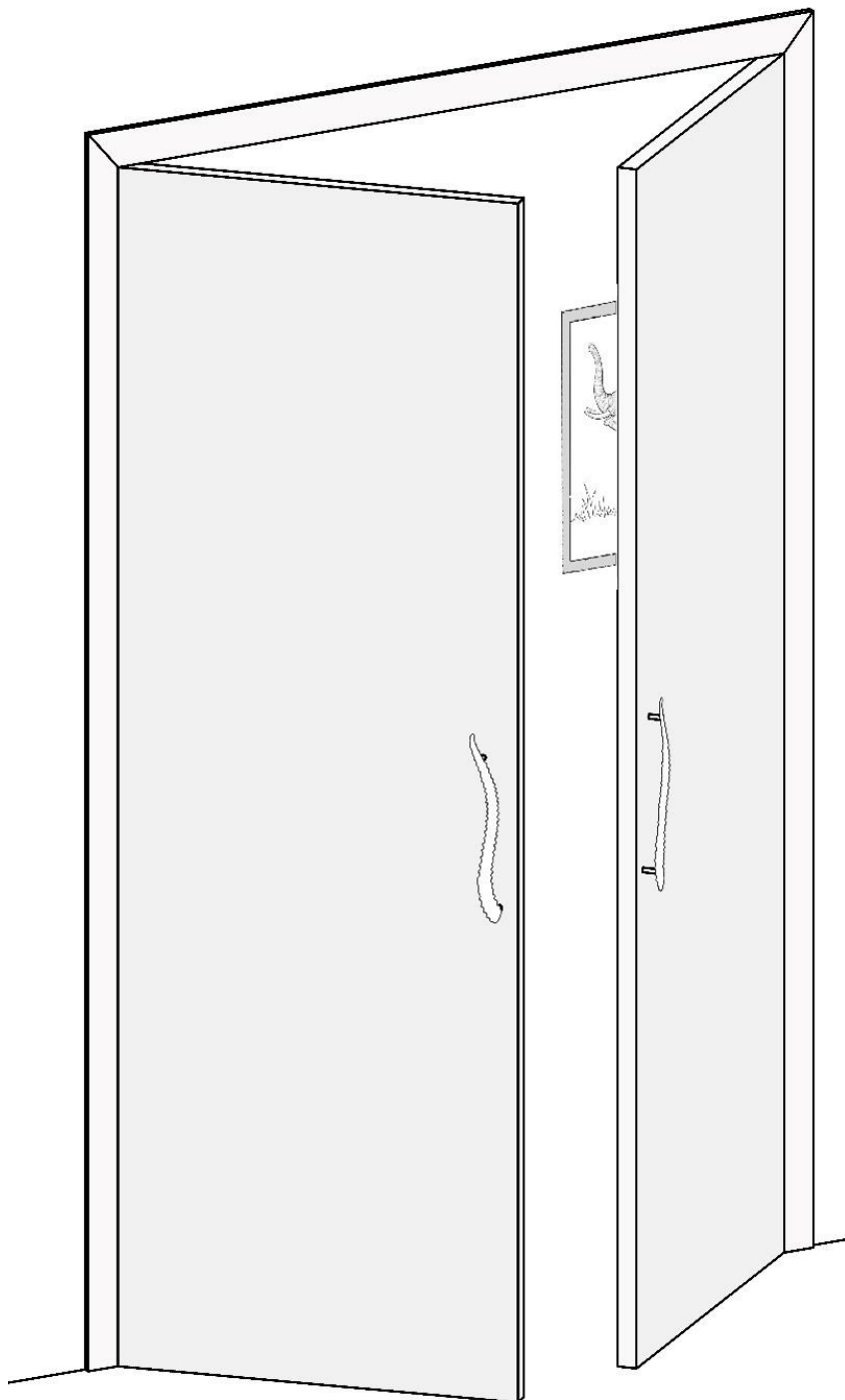


STEP-4

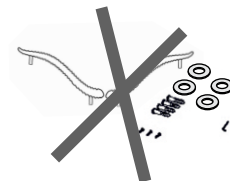
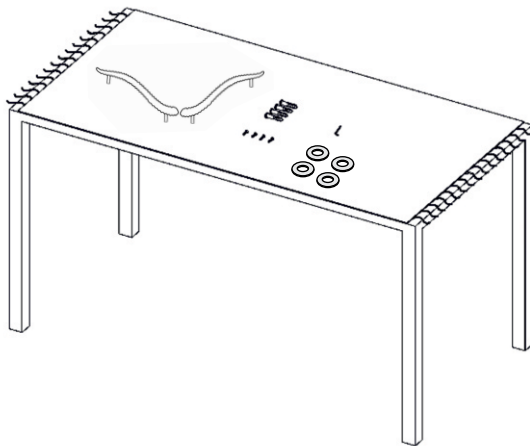
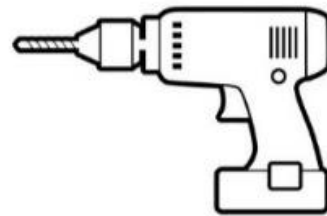
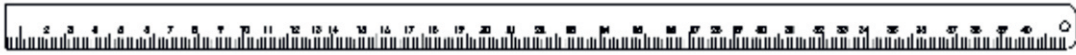
Step Wise Packing List			
S. No.	Part Number	Qty.	Steps
4	LNKY. 2.5	1x	4x



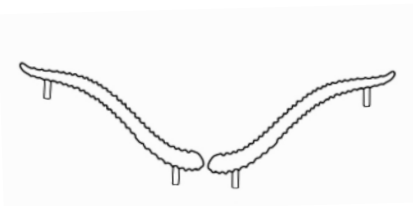
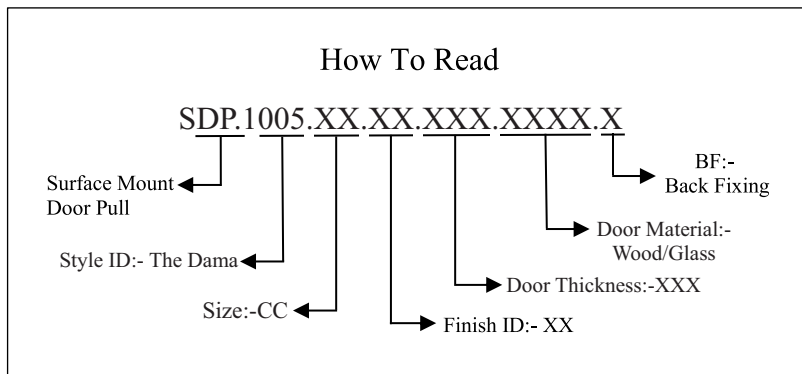
**SURFACE MOUNT BACK FIXING
HANDLE ILLUSTRATED**



Required Tools



Step Wise Packing List			
S. No.	Part Number	Qty.	Steps
1	SDP.1005.XX.XX.XXX.XXXX.X	1x	1
2	SLEEVE	1x	3
3	MSCCSKPH.XX	4x	3
4	SDP.BUSH	4x	3
5	LNKY.4	1x	3
6	WASHER	4x	3
7	SDP.CAP	4x	4
8	Manual	1x	-



SDP.1005.XX.XX.XXX.XXXX.X



MSCCSKPH.XX



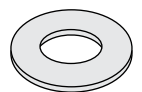
SDP.BUSH



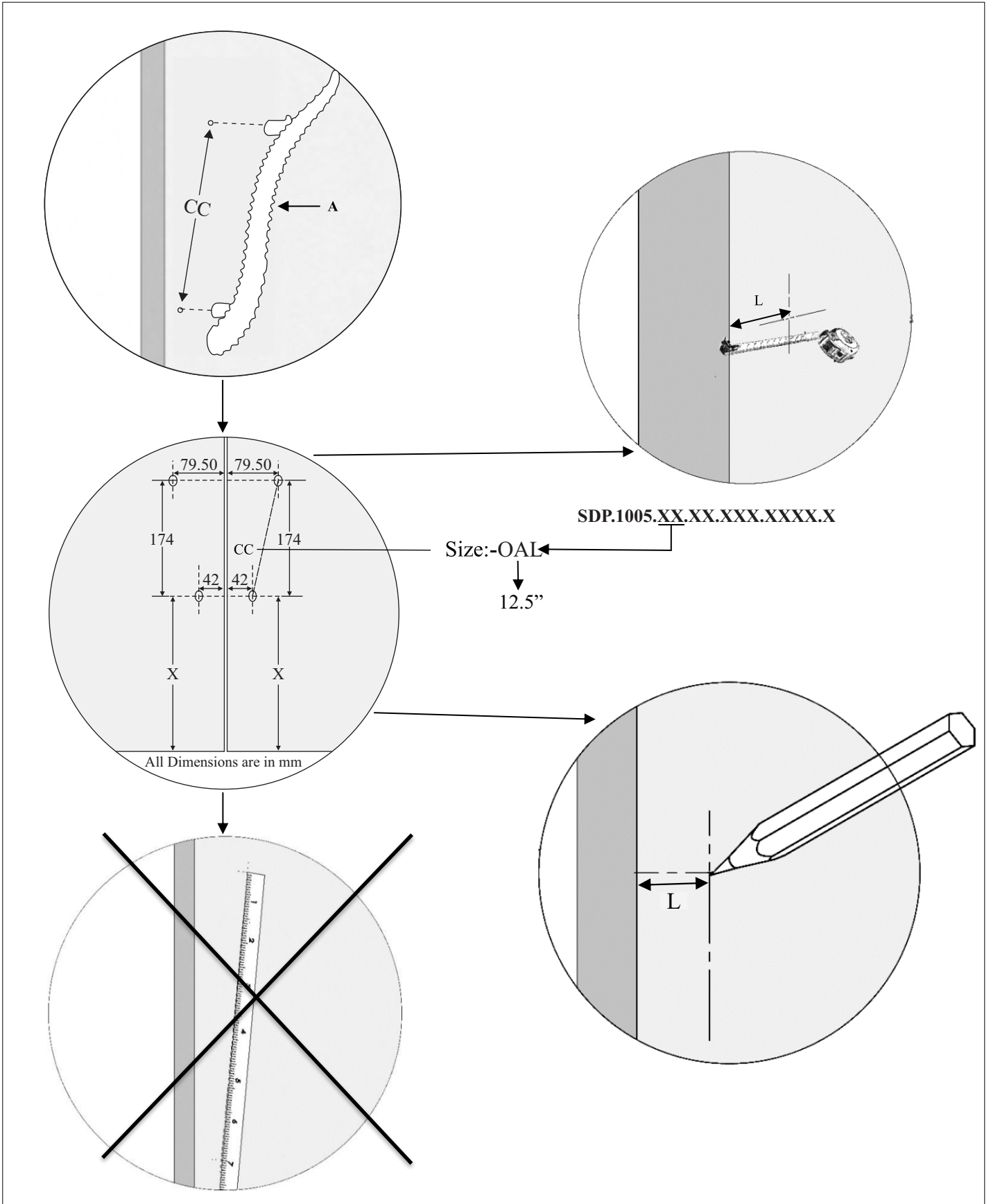
SDP.CAP



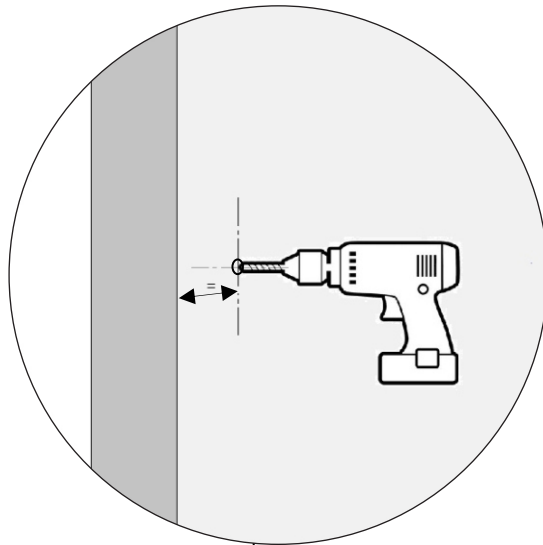
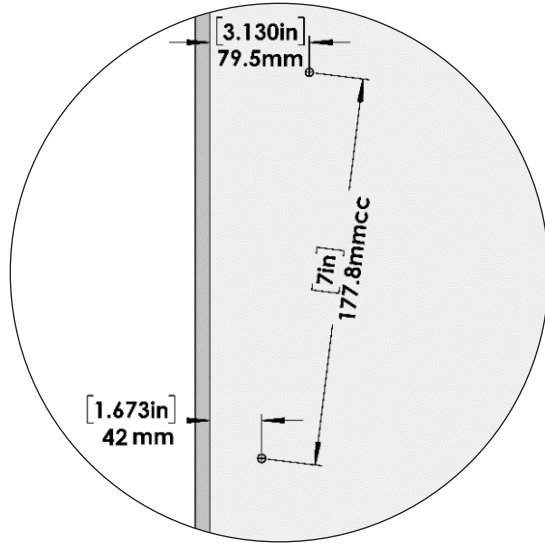
LNKY.4



WASHER



STEP-2

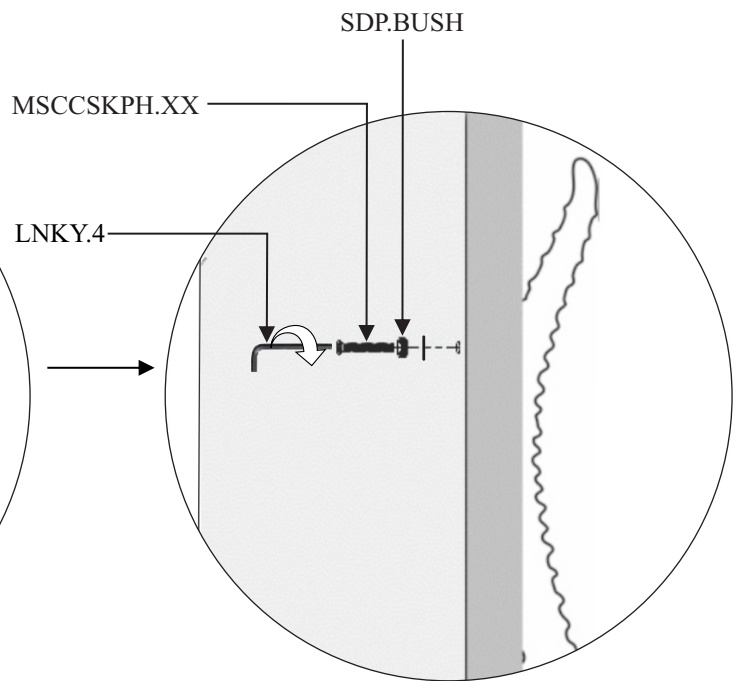
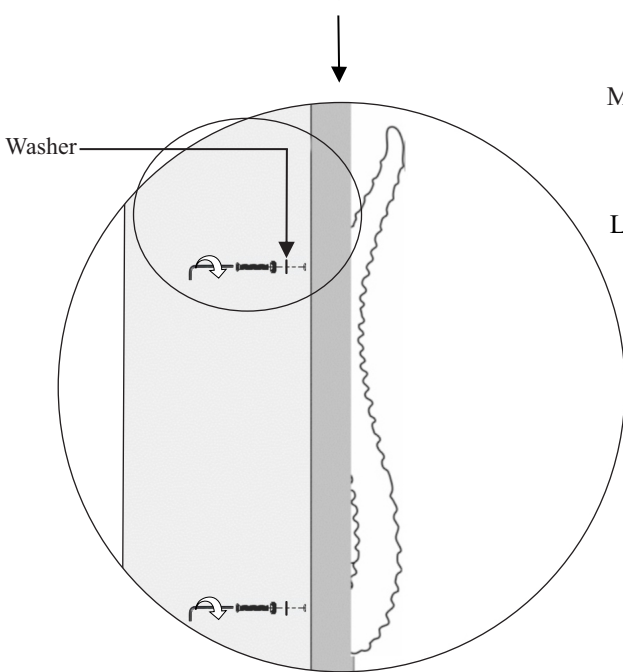
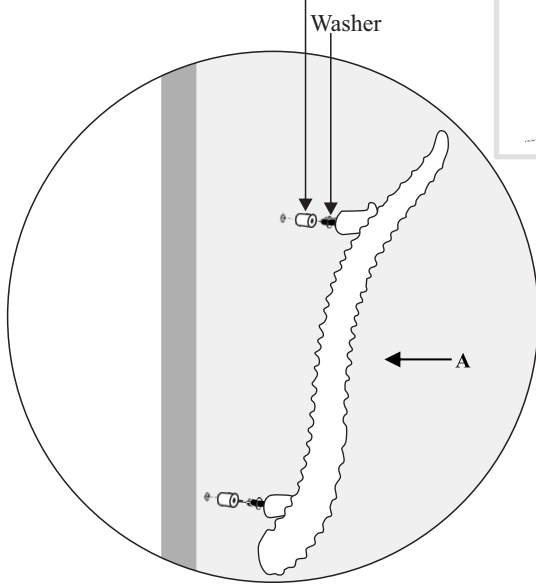
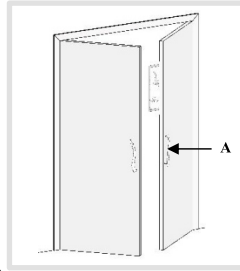


DRILL SIZE			
	Glass	Wood	Metal
SDP BF	3/8" (9.5mm)	1/4" (6.4mm)	1/4" (6.4mm)

STEP-3

Step Wise Packing List			
S. No.	Part Number	Qty.	Steps
2	SLEEVE	1x	3
3	MSCCSKPH.XX	4x	3
4	SDP.BUSH	4x	3
5	LNKY.4	1x	3
6	WASHER	4x	3

Including only
Glass Door
use Sleeve



STEP-4

Step Wise Packing List			
S.No.	Part Number	Qty	Steps
7	SDP.CAP	4x	4

