

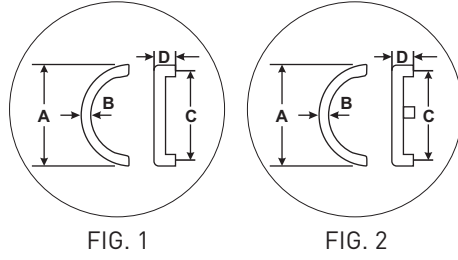
Aged Brass (Finish ID:4)

COLUMBUS SIDE BY SIDE BACK TO BACK DOOR PULL

Item Code	Size (mm & Inches)	Material	Size (Inches)				Fig.
			A	B	C	D	
1 DDP.907.8".XX.XXX.XXX	203.2mm (8")	Brass	8	0.63	7.32	1.1	1
2 DDP.907.12".XX.XXX.XXXX	304.8mm (12")	Brass	12	1.18	10.67	1.5	1
3 DDP.907.15".XX.XXX.XXXX	381mm (15")	Brass	15	1.18	13.74	1.5	1
4 DDP.907.18".XX.XXX.XXXX	457.2mm (18")	Brass	17.83	1.57	16	2.01	2
5 DDP.907.8".XX.XXX.XXXX	203.2mm (8")	Bronze	8	0.63	7.32	1.1	1
6 DDP.907.12".XX.XXX.XXXX	304.8mm (12")	Bronze	12	1.18	10.67	1.5	1
7 DDP.907.15".XX.XXX.XXXX	381mm (15")	Bronze	15	1.18	13.74	1.5	1
8 DDP.907.18".XX.XXX.XXXX	457.2mm (18")	Bronze	17.83	1.57	16	2.01	2

"XX" in item code denotes Finish ID.
 "XXX" in item code denotes Door Thickness.
 "XXXX" in item code denotes Door Material.

This product is Supplied with Mounting Kit including with the Order.



How to Order

DDP.907.8".4.GLASS.1"

BACK TO BACK DOOR PULL
STYLE : COLUMBUS
SIZE : OAL 8 INCH
FINISH ID : 4
DOOR MATERIAL : GLASS
DOOR THICKNESS : 1 INCH

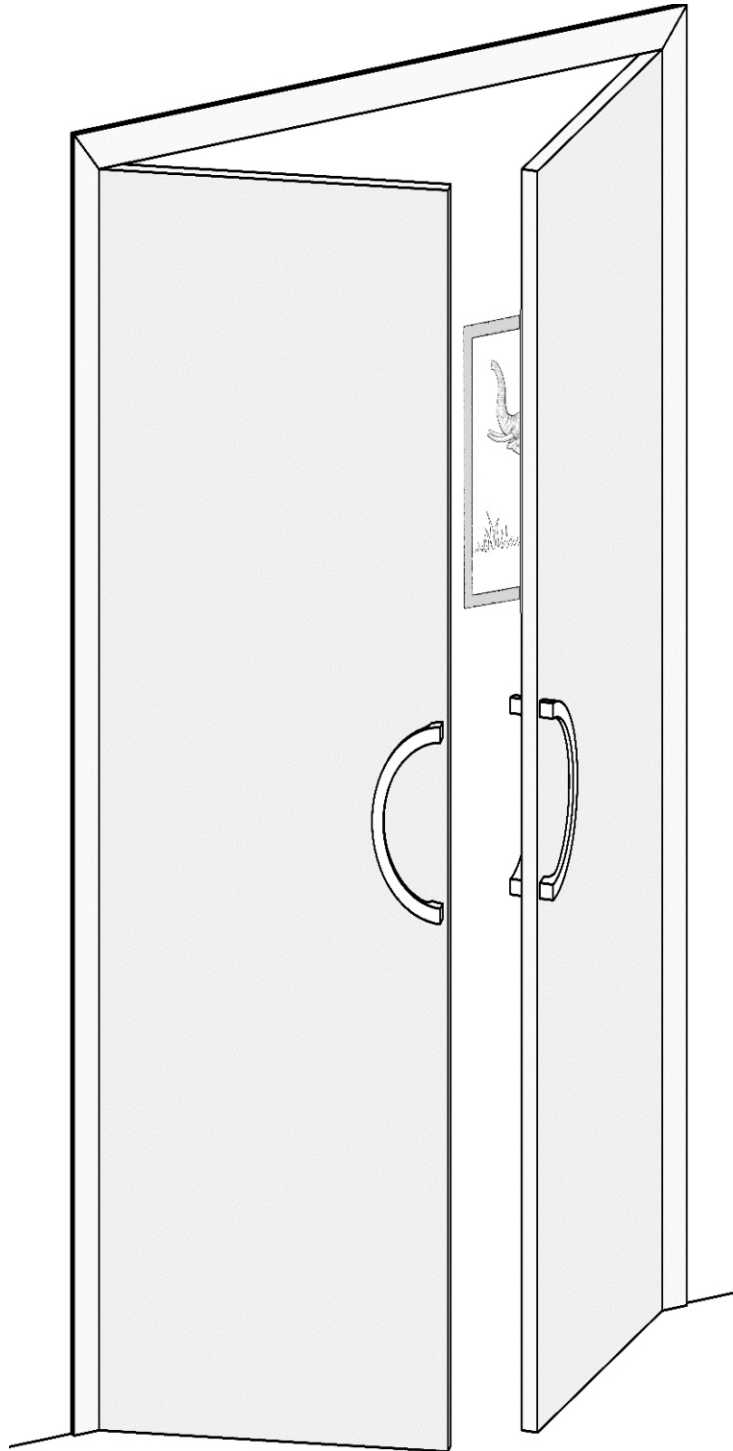
Columbus Side By Side Back To Back Door Pull Finish Options

Base Material : Brass	Standard Finishes (2-3 Weeks Delivery)
Base Material : Brass	Custom Finishes (3-4 Weeks Delivery)*
Base Material : Bronze	Custom Finishes (3-4 Weeks Delivery)*

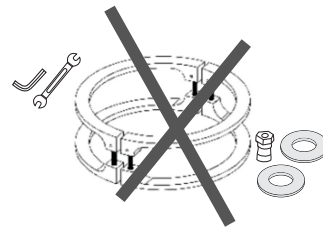
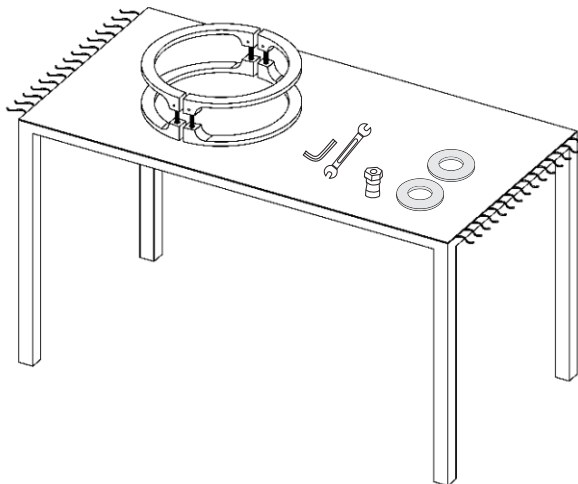
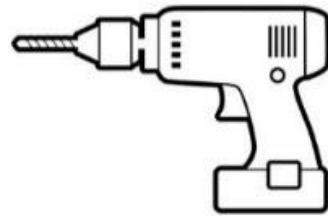
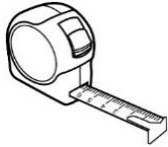
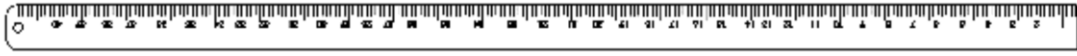
Door Material	Door Thickness
1. Wood	5/16", 3/8", 1/2", 3/4", 1", 1 1/4", 1 1/2", 1 3/4", 2", 2 1/4", 2 1/2"
2. Metal	5/16", 3/8", 1/2", 3/4", 1", 1 1/4", 1 1/2", 1 3/4", 2", 2 1/4", 2 1/2"
3. Glass	5/16", 3/8", 1/2", 3/4", 1"

- Custom finishes cannot be returned or refunded. We are unable to accept cancellations for custom finish order unless within 48 hours of the order being placed.
- We have uniform pricing for all non-hammered finishes listed above as long as base material and size is same.
- Contact us for customized finishes, refer pages F1, F2, F3 & F4 for finish glossary.

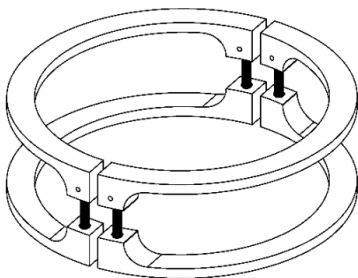
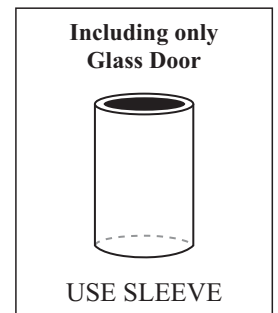
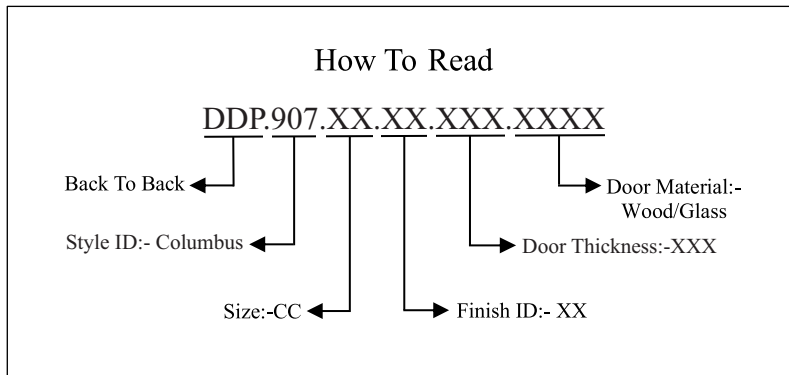
**BACK TO BACK
HANDLE ILLUSTRATED**



Required Tools



Step Wise Packing List			
S.No.	Part Number	Qty	Steps
1	DDP.907.XX.XX.XXX.XXXX	1x	1
2	SLEEVE	1x	1
3	LNKY 3	1x	1
4	INSERT	1x	1
5	WASHER	4x	1
6	DDP.SPANNER (No.10,11)	1x	4
7	Manual	1x	-



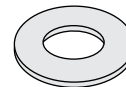
DDP.907.XX.XX.XXX.XXXX



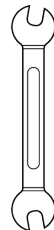
LNKY 3



INSERT



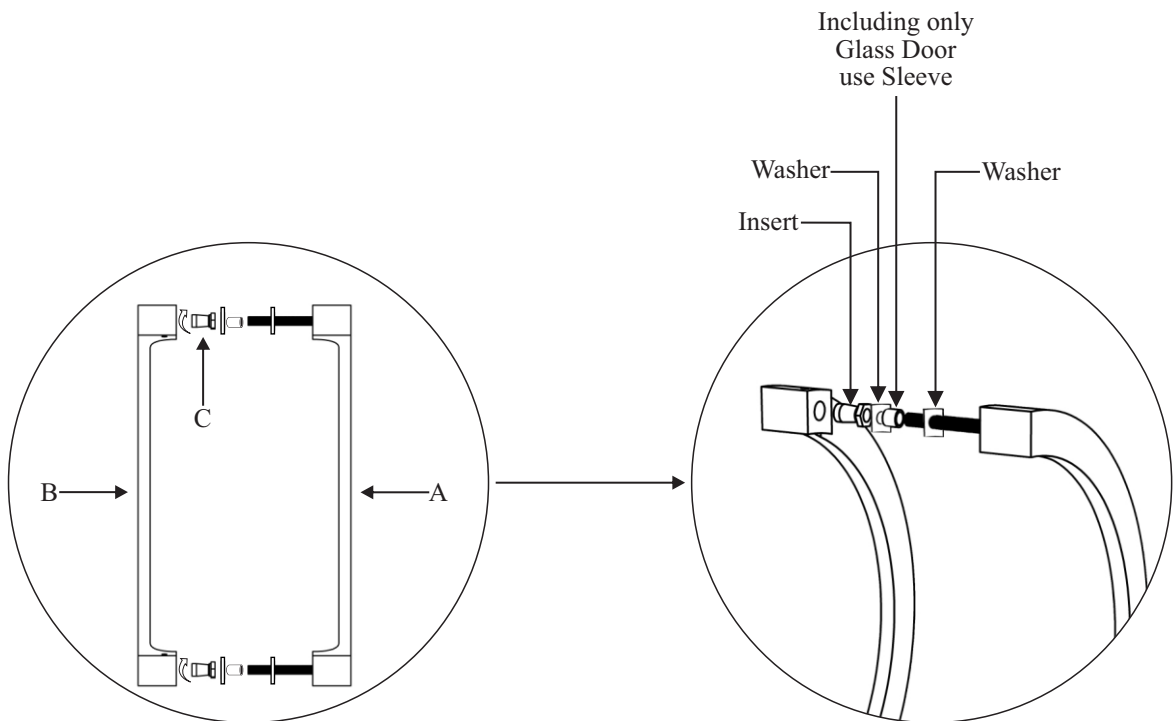
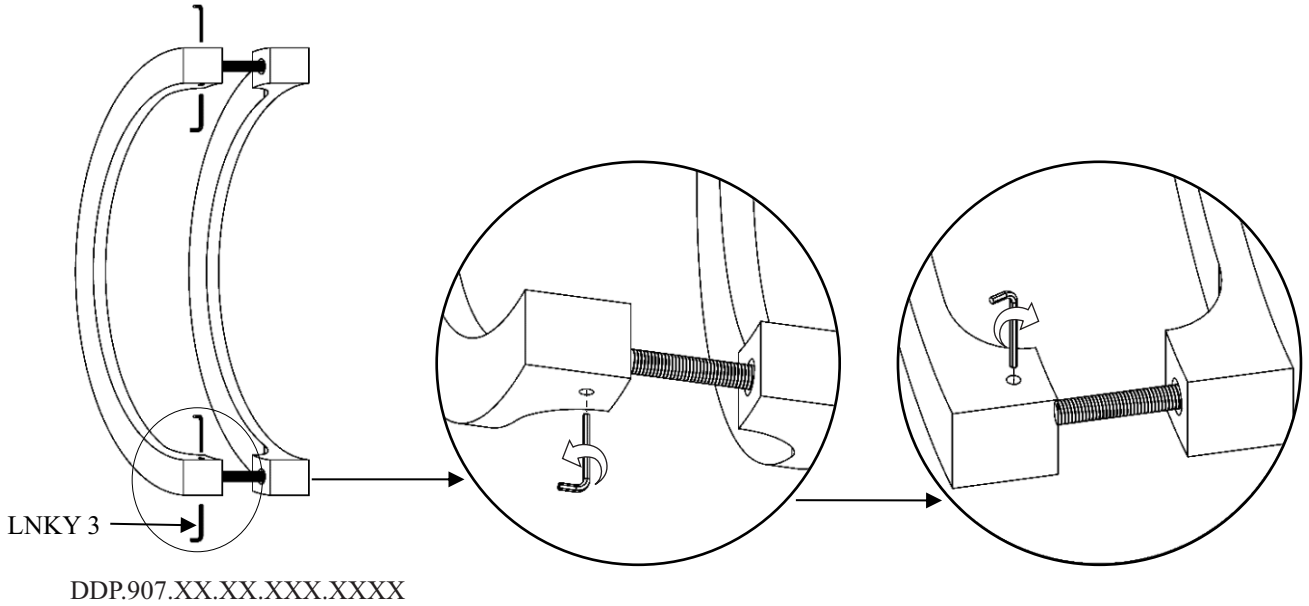
WASHER



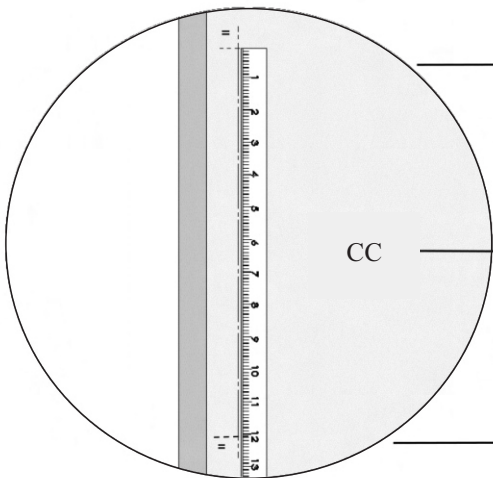
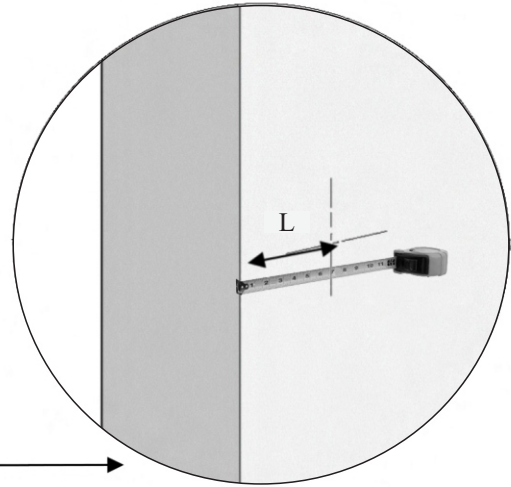
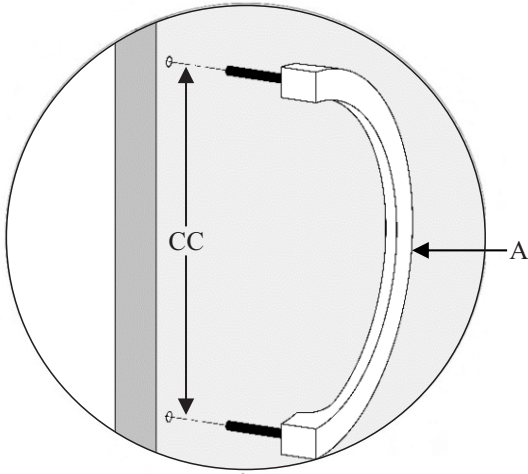
DDP.SPANNER (10,11)

STEP-1

Step Wise Packing List			
S.No.	Part Number	Qty	Steps
1	DDP.907.XX.XX.XXX.XXXX	1x	1
2	SLEEVE	1x	1
3	LNKY 3	1x	1
4	INSERT	1x	1
5	WASHER	4x	1

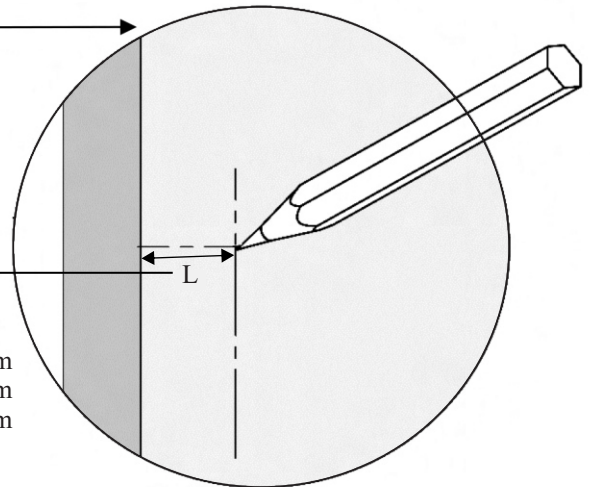
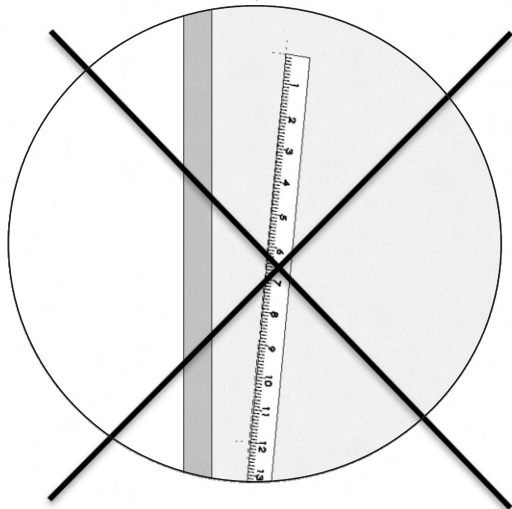


STEP-2



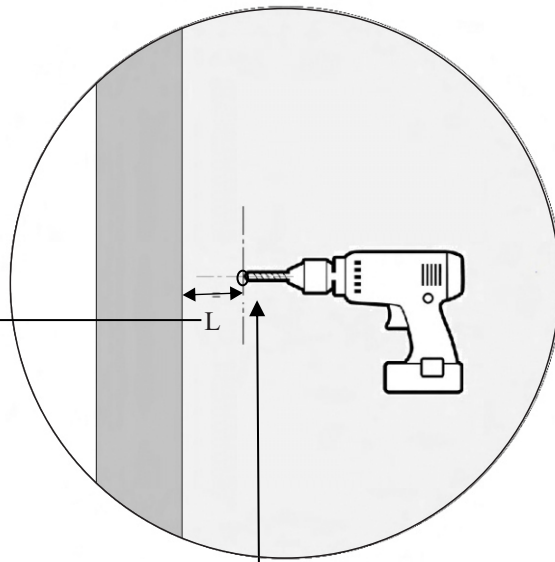
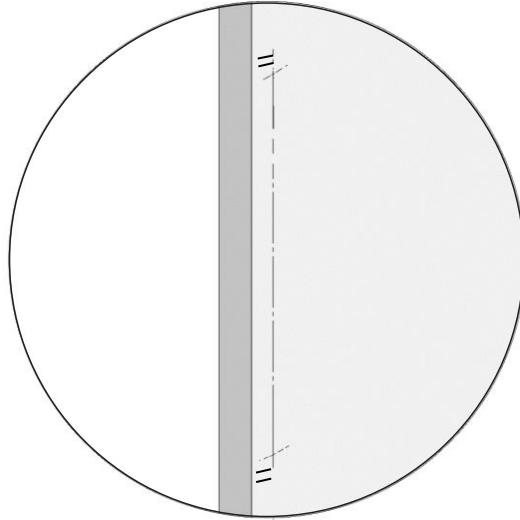
DDP.907.XX.XX.XXX.XXXX

Size:- CC — OAL
 ↓ ↓
 7.5" 8"
 10.6" 12"
 13.7" 15"



8" OAL = 10mm
 12" OAL = 15mm
 15" OAL = 17mm

STEP-3

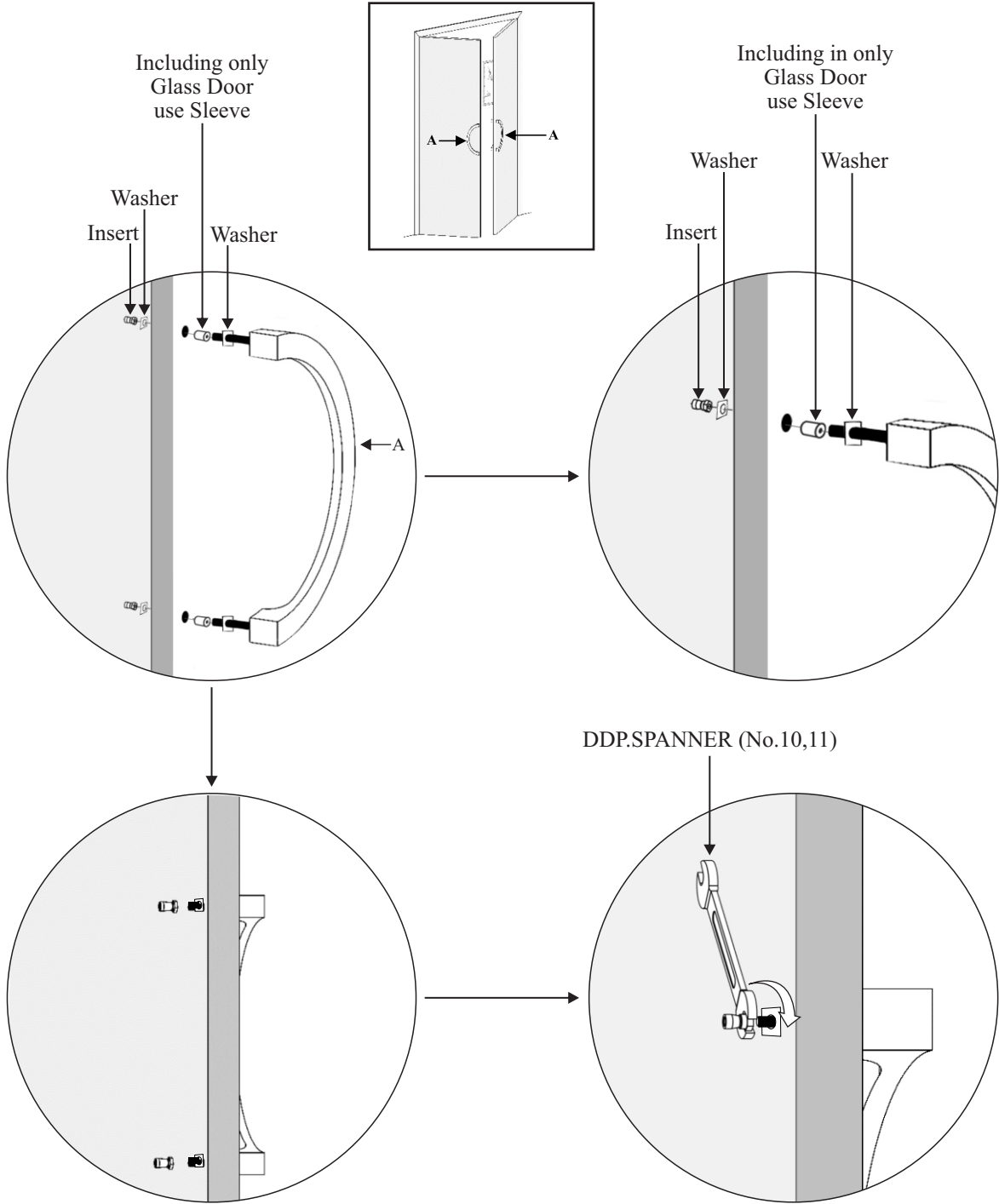


L
↓
8" OAL = 10mm
12" OAL = 15mm
15" OAL = 17mm

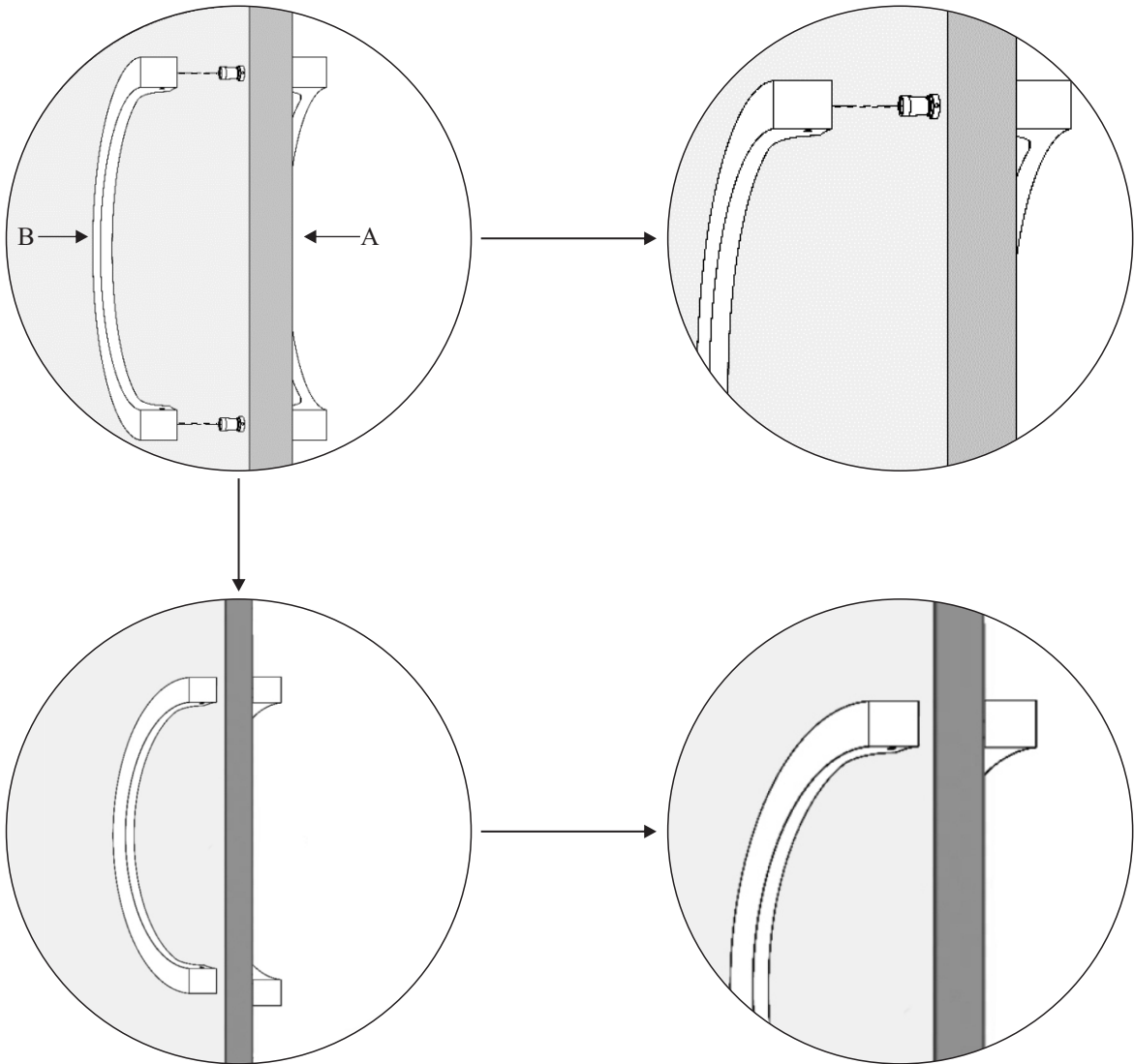
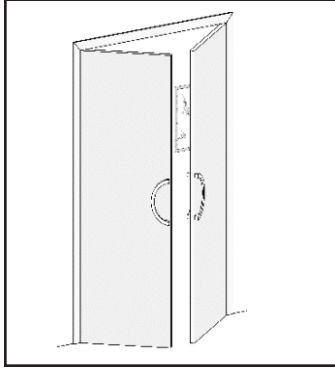
DRILL SIZE			
	Glass	Wood	Metal
DDP	3/8" (9.5mm)	1/4" (6.4mm)	1/4" (6.4mm)

STEP-4

Step Wise Packing List			
S.No.	Part Number	Qty	Steps
6	DDP.SPANNER (No.10,11)	1x	4



STEP-5



STEP-6

