



Polished Nickel (Finish ID:8)

## JAZZ BACK TO BACK DOOR PULL

“The juxtaposition of two surfaces where knurled meets smooth.  
The contrast highlights the detail.”

|   | Item Code               | Size (mm & Inches) | Material | Size (Inches) |      |    |      | Fig. |
|---|-------------------------|--------------------|----------|---------------|------|----|------|------|
|   |                         |                    |          | A             | B    | C  | D    |      |
| 1 | DDP.836.12".XX.XXX.XXXX | 304.8mm (12")      | Brass    | 13.98         | 0.87 | 12 | 2.13 | 1    |
| 2 | DDP.836.18".XX.XXX.XXXX | 457.2mm (18")      | Brass    | 20.16         | 0.87 | 18 | 2.13 | 1    |
| 3 | DDP.836.24".XX.XXX.XXXX | 609.6mm (24")      | Brass    | 26.18         | 0.87 | 24 | 2.13 | 1    |
| 4 | DDP.836.36".XX.XXX.XXXX | 914.4mm (36")      | Brass    | 38.19         | 0.87 | 36 | 2.13 | 1    |
| 5 | DDP.836.48".XX.XXX.XXXX | 1219.2mm (48")     | Brass    | 50.16         | 0.87 | 48 | 2.13 | 1    |

“XX” in item code denotes Finish ID.  
“XXX” in item code denotes Door Thickness.  
“XXXX” in item code denotes Door Material.

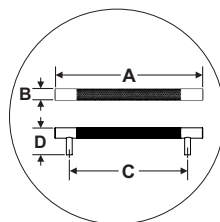
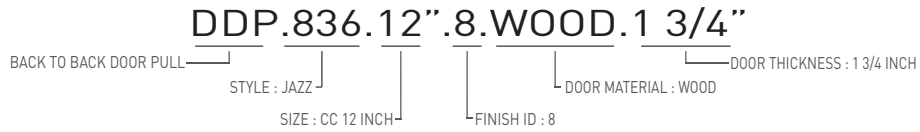


FIG. 1

This product is Supplied with Mounting Kit including with the Order.

## How to Order



## Jazz Back To Back Door Pull Finish Options

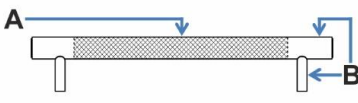
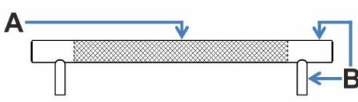
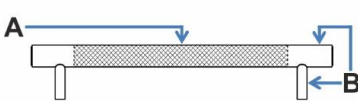
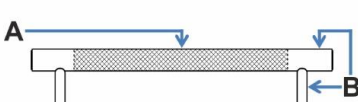
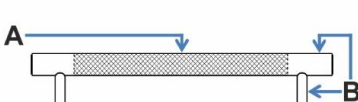
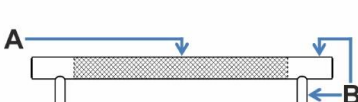
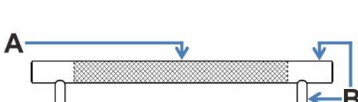
| Base Material : Brass                         | Standard Finishes (2-3 Weeks Delivery)              |  |  |  |                                |   |
|---|---|--|--|--|--------------------------------|---|
|   |   |  |  |  |                                |   |
| Bright Chrome<br>(Finish ID:2)                | Brush Nickel<br>(Finish ID:3)                       | Aged Brass<br>(Finish ID:4)                          | Unlacquered<br>Polished Brass<br>(Finish ID:7U)  | Polished Nickel<br>(Finish ID:8)                   | Satin Brass<br>(Finish ID:13)  |   |
| Base Material : Brass                         | Custom Finishes (3-4 Weeks Delivery)*               |  |  |  |                                |   |
|   |   |  |  |  |                                |   |
| Lacquered<br>Polished Brass<br>(Finish ID:7L) | Matte Black<br>(Finish ID:19)                       | Split Black and<br>Polished Nickel<br>(Finish ID:48) | Split Black and<br>Satin Brass<br>(Finish ID:49) | Split Black And<br>Chrome<br>(Finish ID:59)        | Graphite<br>(Finish ID:61)     | Split Brush Nickel and<br>Satin Brass<br>(Finish ID:78) |
|   |   |  |  |  |                                |   |
| Titanium<br>(Finish ID:79)                    | Split Graphite and<br>Satin Brass<br>(Finish ID:90) | Split Graphite and<br>Brush Chrome<br>(Finish ID:91) | Ombre<br>(Finish ID:92)                          | Split Graphite and<br>Aged Brass<br>(Finish ID:93) | Brush Chrome<br>(Finish ID:95) |   |

| Door Material | Door Thickness  |
|---------------|---|
| 1. Wood       | 5/16", 3/8", 1/2", 3/4", 1", 1 1/4", 1 1/2", 1 3/4", 2", 2 1/4", 2 1/2" |
| 2. Metal      | 5/16", 3/8", 1/2", 3/4", 1", 1 1/4", 1 1/2", 1 3/4", 2", 2 1/4", 2 1/2" |
| 3. Glass      | 5/16", 3/8", 1/2", 3/4", 1"   |

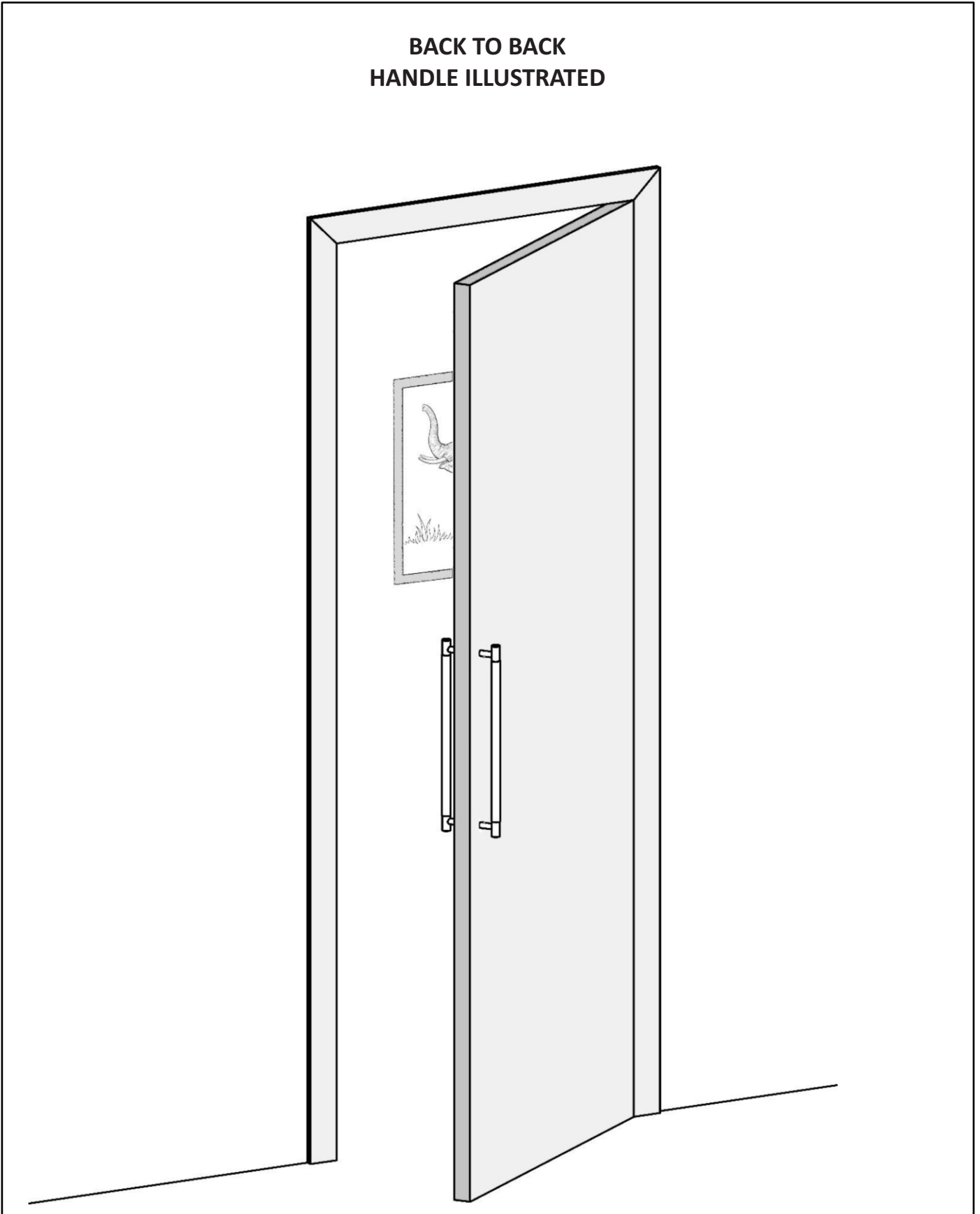
- Custom finishes cannot be returned or refunded. We are unable to accept cancellations for custom finish order unless within 48 hours of the order being placed.
- We have uniform pricing for all non-hammered finishes listed above as long as base material and size is same.
- Contact us for customized finishes, refer pages F1, F2, F3 & F4 for finish glossary.

## Jazz Back To Back Door Pull Split Finish

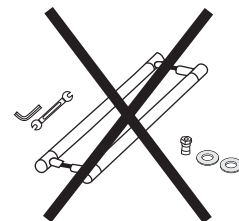
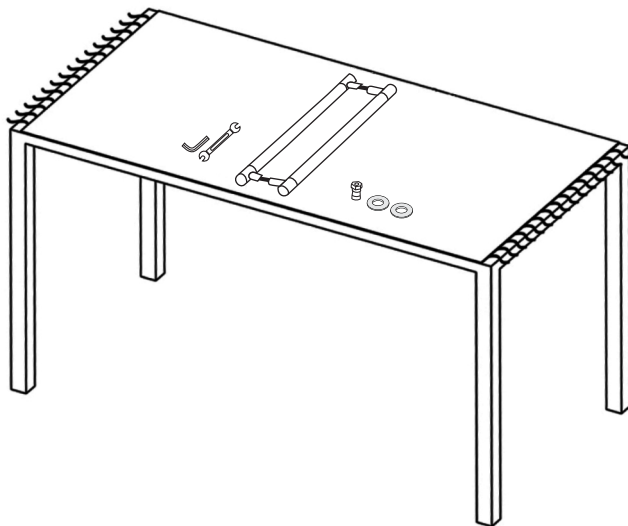
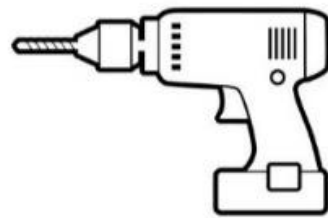
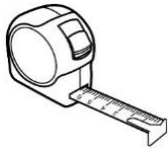
DDP.836.XX.XX

| FINISH CODE (XX) | FINISH NAME                        | LINE DRAWING  | A           | B               |
|------------------|------------------------------------|---|-------------|-----------------|
| DDP.836.XX.48    | Split Black and Polished Nickel    |    | Matte Black | Polished Nickel |
| DDP.836.XX.49    | Split Black and Satin Brass        |    | Matte Black | Satin Brass     |
| DDP.836.XX.59    | Split Black and Chrome             |    | Matte Black | Bright Chrome   |
| DDP.836.XX.78    | Split Brush Nickel and Satin Brass |   | Satin Brass | Brush Nickel    |
| DDP.836.XX.90    | Split Graphite and Satin Brass     |  | Graphite    | Satin Brass     |
| DDP.836.XX.91    | Split Graphite and Brush Chrome    |  | Graphite    | Brush Chrome    |
| DDP.836.XX.93    | Split Graphite and Aged Brass      |  | Graphite    | Aged Brass      |
|                  |                                    |   |             |                 |

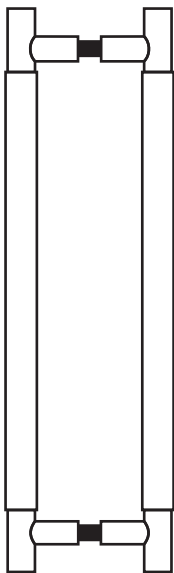
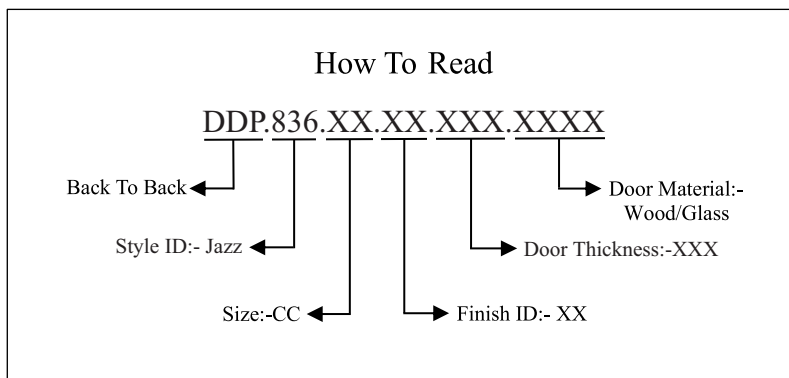
**BACK TO BACK  
HANDLE ILLUSTRATED**



Required Tools



| Step Wise Packing List |                        |     |       |
|------------------------|------------------------|-----|-------|
| S.No.                  | Part Number            | Qty | Steps |
| 1                      | DDP.836.XX.XX.XXX.XXXX | 1x  | 1     |
| 2                      | SLEEVE                 | 1x  | 1     |
| 3                      | LNKY2.5                | 1x  | 1     |
| 4                      | INSERT                 | 1x  | 1     |
| 5                      | WASHER                 | 2x  | 1     |
| 6                      | DDP.SPANNER (No.10,11) | 1x  | 4     |
| 7                      | Manual                 | 1x  | -     |



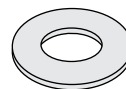
DDP.836.XX.XX.XXX.XXXX



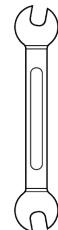
LNKY2.5



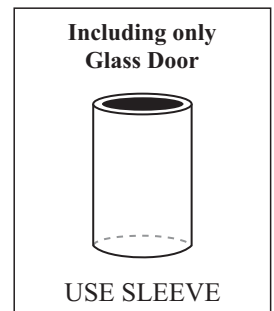
INSERT



WASHER

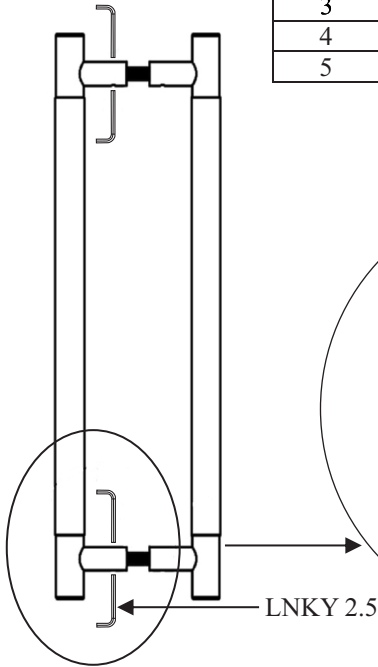


DDP.SPANNER (No.10,11)

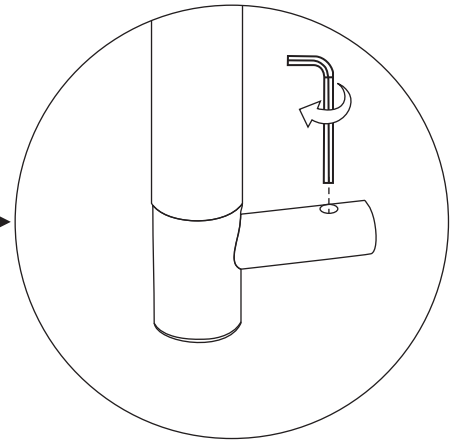
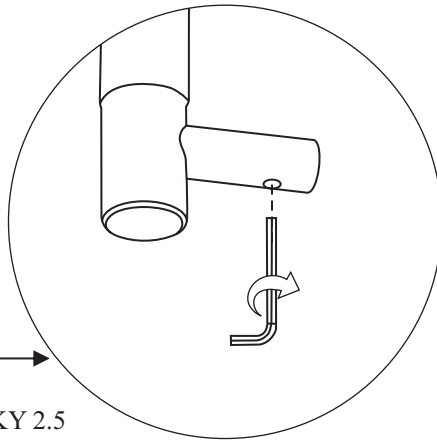


STEP-1

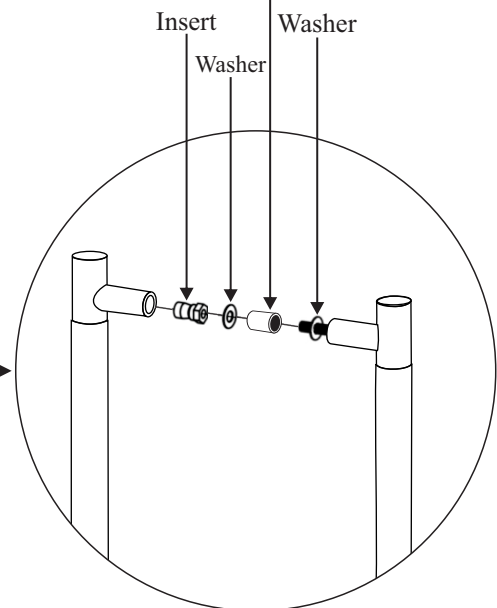
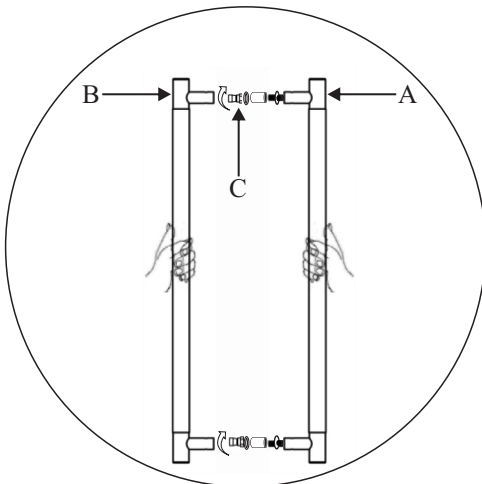
| Step Wise Packing List |                        |     |       |
|------------------------|------------------------|-----|-------|
| S.No.                  | Part Number            | Qty | Steps |
| 1                      | DDP.836.XX.XX.XXX.XXXX | 1x  | 1     |
| 2                      | SLEEVE                 | 1x  | 1     |
| 3                      | LNKY2.5                | 1x  | 1     |
| 4                      | INSERT                 | 1x  | 1     |
| 5                      | WASHER                 | 2x  | 1     |



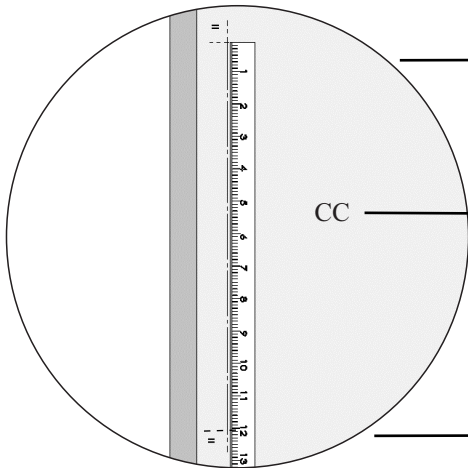
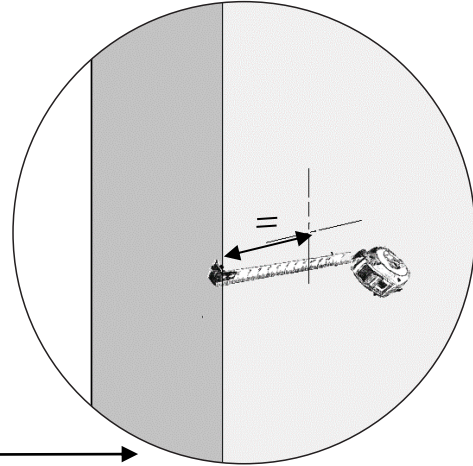
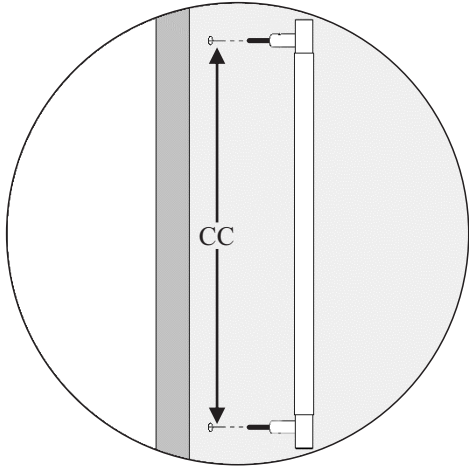
DDP.836.XX.XX.XXX.XXXX



Including only  
Glass Door  
use Sleeve



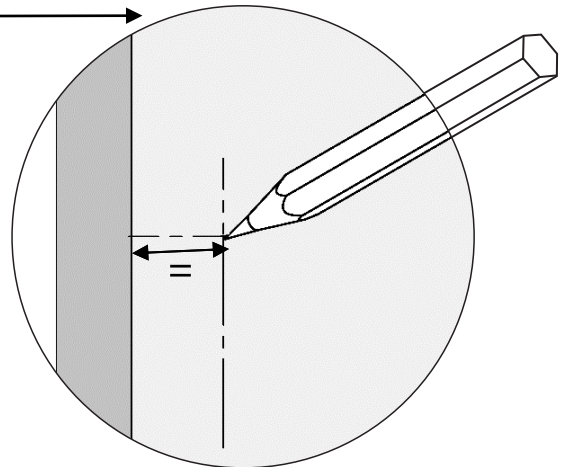
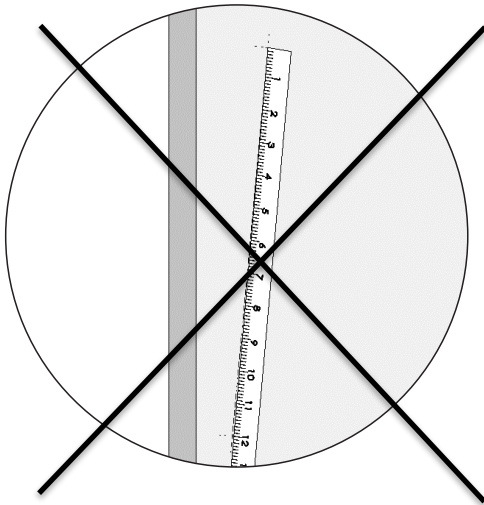
STEP-2



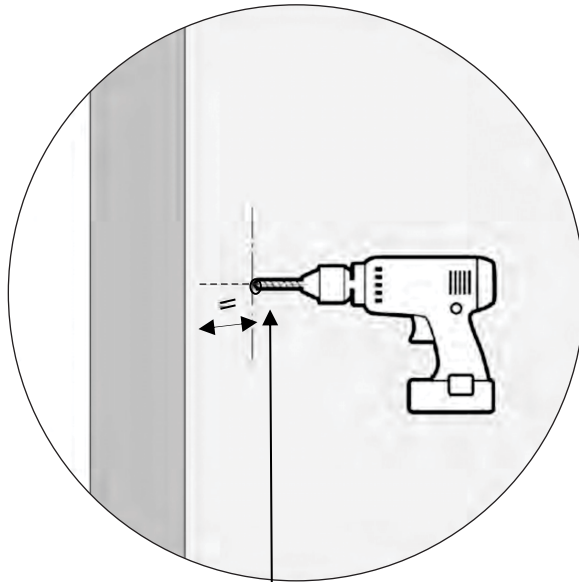
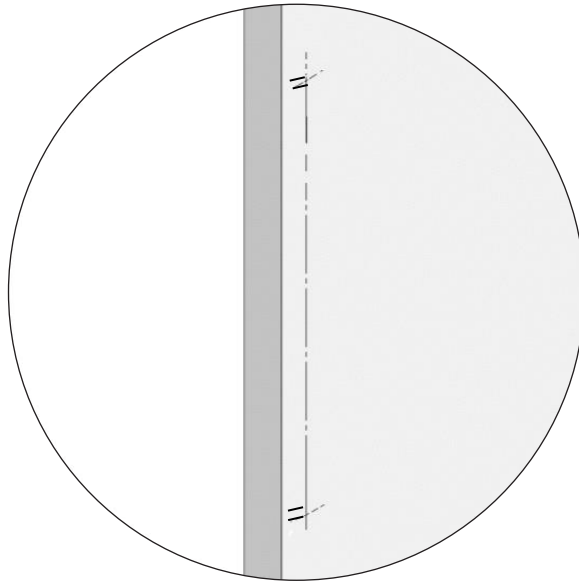
DDP.836.XX.XX.XXX.XXXX

Size:-CC

- 12"
- 18"
- 24"
- 36"
- 48"



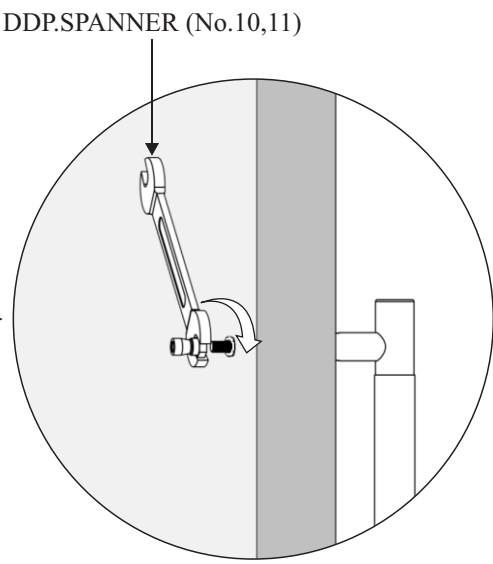
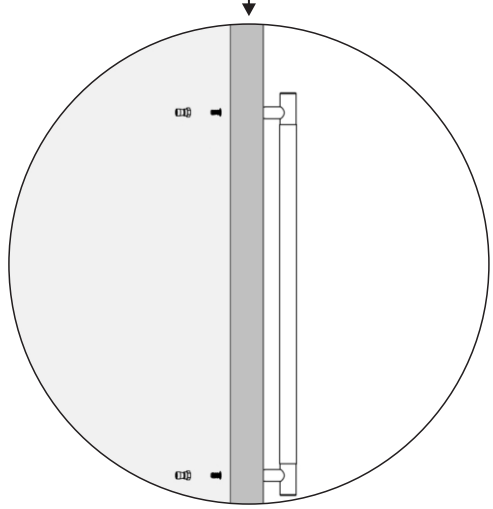
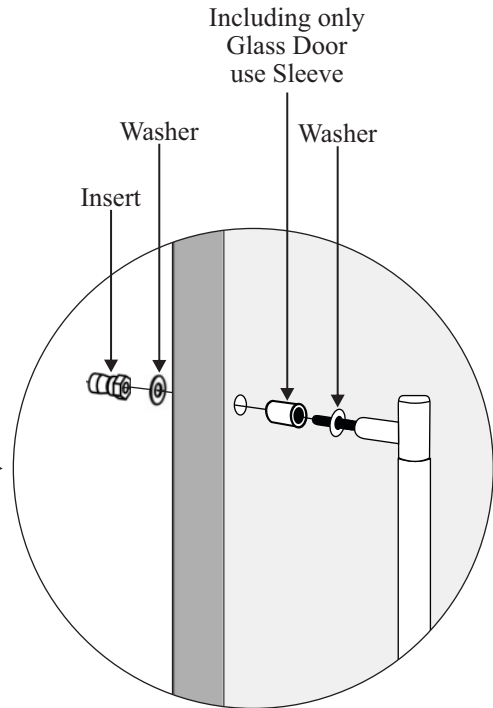
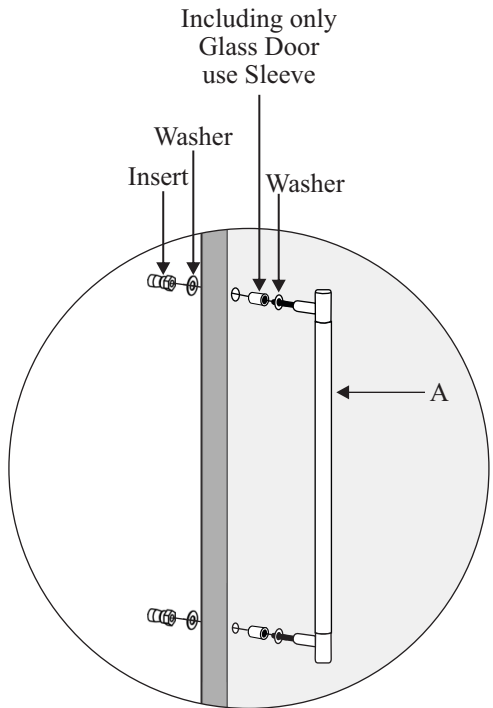
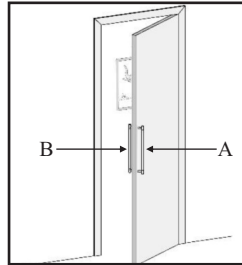
STEP-3



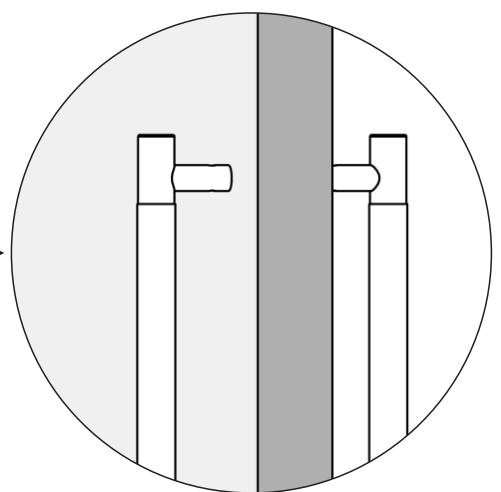
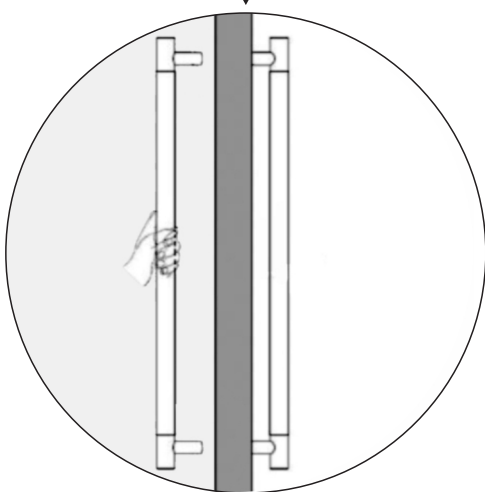
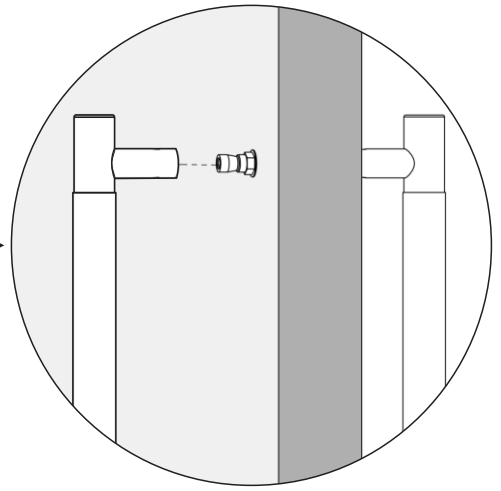
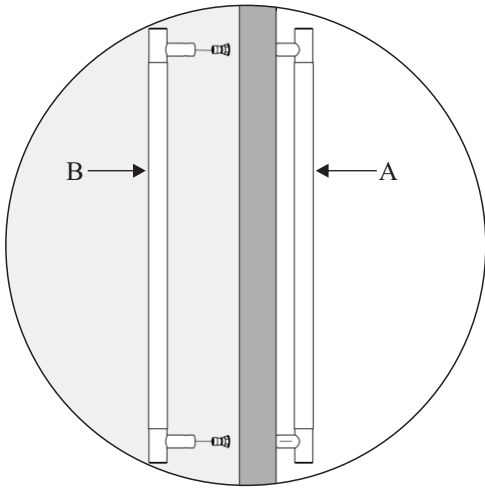
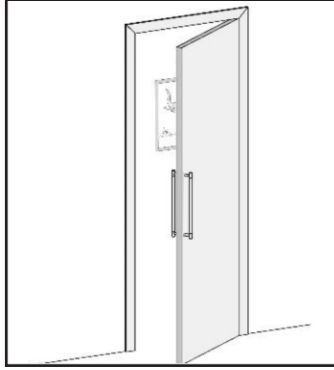
| DRILL SIZE |                 |                 |                 |
|------------|-----------------|-----------------|-----------------|
|            | Glass           | Wood            | Metal           |
| <b>DDP</b> | 3/8"<br>(9.5mm) | 1/4"<br>(6.4mm) | 1/4"<br>(6.4mm) |

STEP-4

| Step Wise Packing List |                        |     |       |
|------------------------|------------------------|-----|-------|
| S.No.                  | Part Number            | Qty | Steps |
| 6                      | DDP.SPANNER (No.10,11) | 1x  | 4     |



STEP-5



STEP-6

