

Satin Brass (Finish ID:13)

VENDOME BACK TO BACK SINGLE SIDED DOOR PULL

	Item Code	Size (mm & Inches)	Material	Size (Inches)				Fig.
				A	B	C	D	
1	DDP.1058.8".XX.XXX.XXXX	203.2mm (8")	Brass	8	3.96	7	1.73	1
2	DDP.1058.12".XX.XXX.XXXX	304.8mm (12")	Brass	12	5.96	11	2.15	1
3	DDP.1058.16".XX.XXX.XXXX	406.4mm (16")	Brass	16	8	14.5	2.72	1
4	DDP.1058.18".XX.XXX.XXXX	457.2mm (18")	Brass	18	9	16.5	2.72	1

"XX" in item code denotes Finish ID.
"XXX" in item code denotes Door Thickness.
"XXXX" in item code denotes Door Material.

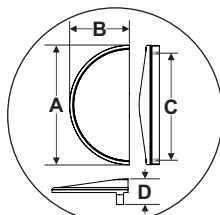


FIG. 1

This product is Supplied with Mounting Kit including with the Order.

How to Order



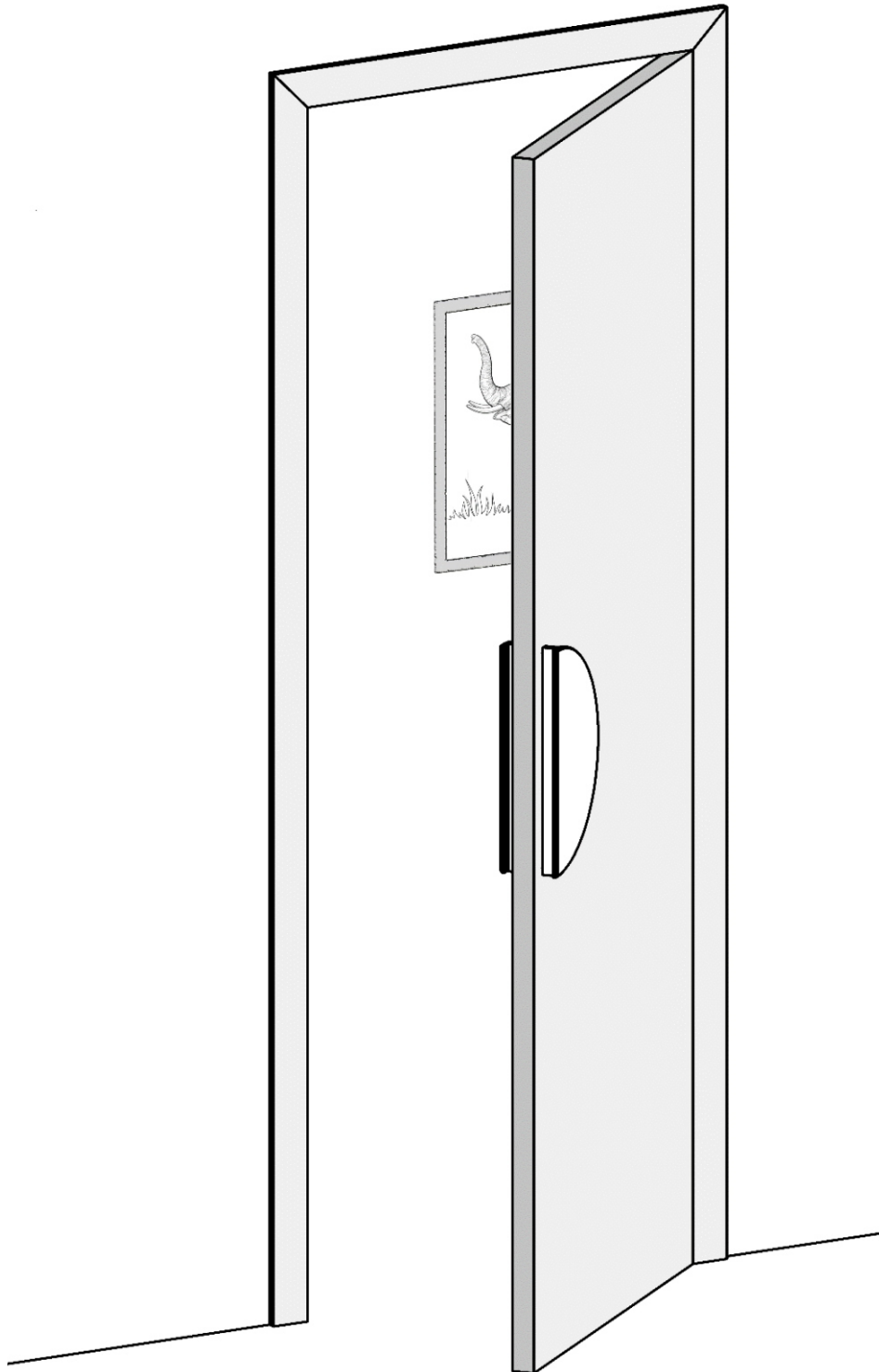
Vendome Back To Back Single Sided Door Pull Finish Options

Base Material : Brass	Standard Finishes (2-3 Weeks Delivery)				
					
<table style="width: 100%; border: none;"> <tr> <td style="width: 25%; text-align: center; padding: 5px;">Brush Nickel (Finish ID:3)</td> <td style="width: 25%; text-align: center; padding: 5px;">Aged Brass (Finish ID:4)</td> <td style="width: 25%; text-align: center; padding: 5px;">Polished Nickel (Finish ID:8)</td> <td style="width: 25%; text-align: center; padding: 5px;">Satin Brass (Finish ID:13)</td> </tr> </table>		Brush Nickel (Finish ID:3)	Aged Brass (Finish ID:4)	Polished Nickel (Finish ID:8)	Satin Brass (Finish ID:13)
Brush Nickel (Finish ID:3)	Aged Brass (Finish ID:4)	Polished Nickel (Finish ID:8)	Satin Brass (Finish ID:13)		
Base Material : Brass	Custom Finishes (3-4 Weeks Delivery)*				
					
<table style="width: 100%; border: none;"> <tr> <td style="width: 25%; text-align: center; padding: 5px;">Antique Copper (Finish ID:15)</td> <td style="width: 25%; text-align: center; padding: 5px;">Graphite (Finish ID:61)</td> <td style="width: 25%; text-align: center; padding: 5px;">Titanium (Finish ID:79)</td> <td style="width: 25%; text-align: center; padding: 5px;">Brush Chrome (Finish ID:95)</td> </tr> </table>		Antique Copper (Finish ID:15)	Graphite (Finish ID:61)	Titanium (Finish ID:79)	Brush Chrome (Finish ID:95)
Antique Copper (Finish ID:15)	Graphite (Finish ID:61)	Titanium (Finish ID:79)	Brush Chrome (Finish ID:95)		
Base Material : Bronze	Custom Finishes (3-4 Weeks Delivery)*				
					
<table style="width: 100%; border: none;"> <tr> <td style="width: 50%; text-align: center; padding: 5px;">Silicon Bronze Light (Finish ID:53)</td> <td style="width: 50%; text-align: center; padding: 5px;">White Bronze (Finish ID:54)</td> </tr> </table>		Silicon Bronze Light (Finish ID:53)	White Bronze (Finish ID:54)		
Silicon Bronze Light (Finish ID:53)	White Bronze (Finish ID:54)				

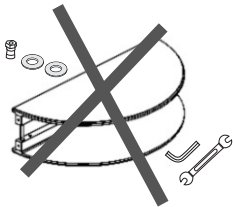
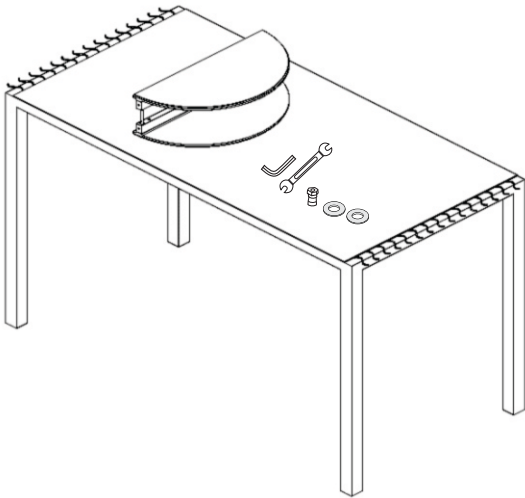
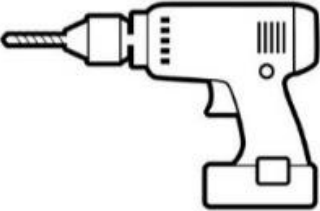
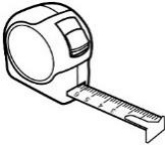
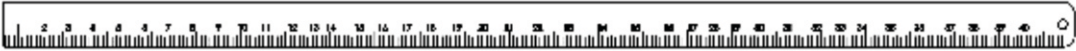
Door Material	Door Thickness
1. Wood	5/16", 3/8", 1/2", 3/4", 1", 1 1/4", 1 1/2", 1 3/4", 2", 2 1/4", 2 1/2"
2. Metal	5/16", 3/8", 1/2", 3/4", 1", 1 1/4", 1 1/2", 1 3/4", 2", 2 1/4", 2 1/2"
3. Glass	5/16", 3/8", 1/2", 3/4", 1"

- Custom finishes cannot be returned or refunded. We are unable to accept cancellations for custom finish order unless within 48 hours of the order being placed.
- We have uniform pricing for all non-hammered finishes listed above as long as base material and size is same.
- Contact us for customized finishes, refer pages F1, F2, F3 & F4 for finish glossary.

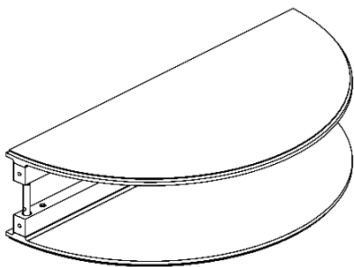
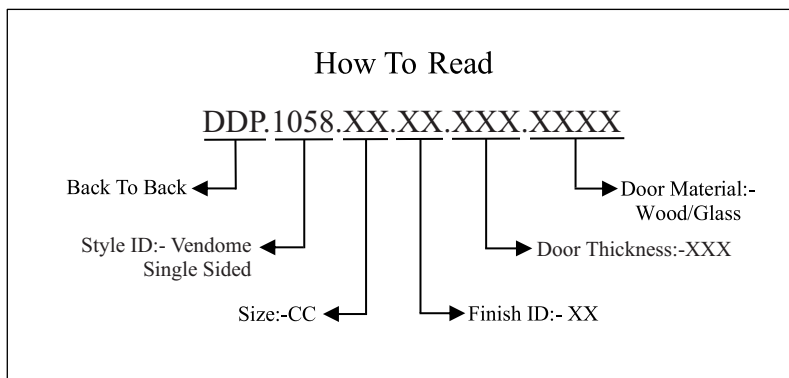
**BACK TO BACK
HANDLE ILLUSTRATED**



Required Tools



Step Wise Packing List			
S.No.	Part Number	Qty	Steps
1	DDP.1058.XX.XX.XXX.XXXX	1x	1
2	SLEEVE	1x	1
3	LNKY2.5	1x	1
4	INSERT	1x	1
5	WASHER	2x	1
6	DDP.SPANNER (No.10,11)	1x	4
7	Manual	1x	-



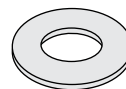
DDP.1058.XX.XX.XXX.XXXX



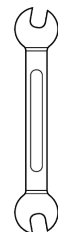
LNKY2.5



INSERT



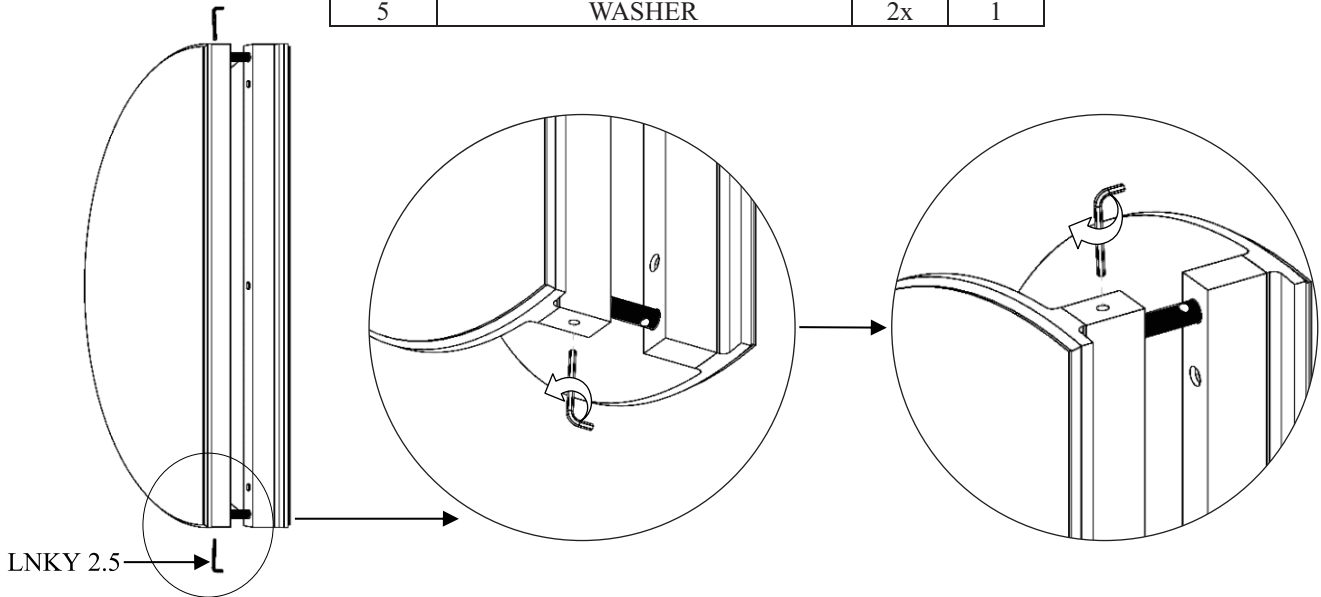
WASHER



DDP.SPANNER (No.10,11)

STEP-1

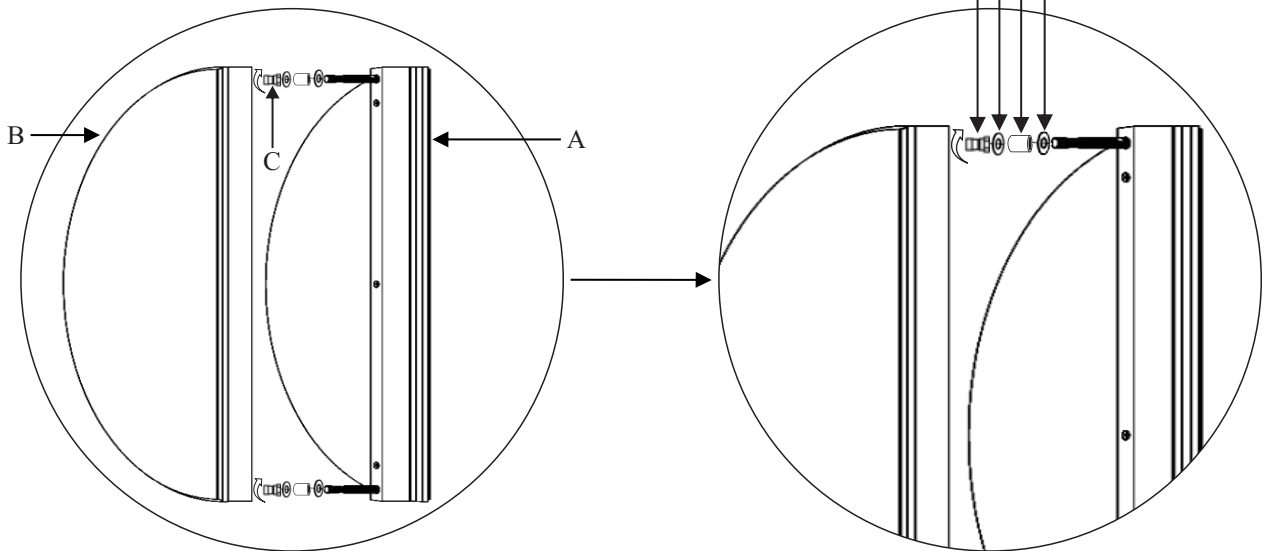
Step Wise Packing List			
S.No.	Part Number	Qty	Steps
1	DDP.1058.XX.XX.XXX.XXXX	1x	1
2	SLEEVE	1x	1
3	LNKY2.5	1x	1
4	INSERT	1x	1
5	WASHER	2x	1



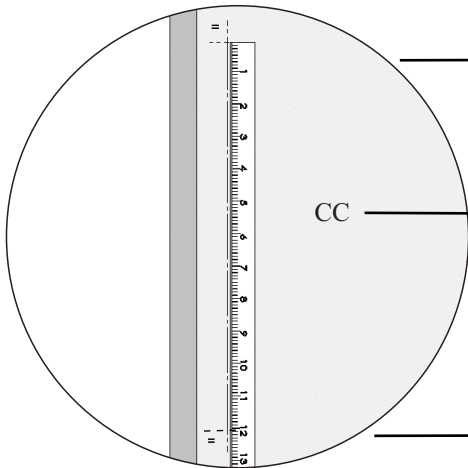
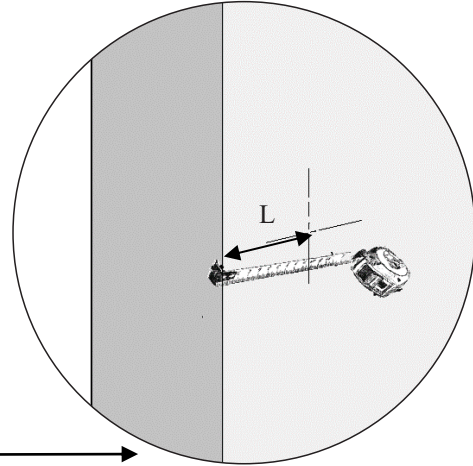
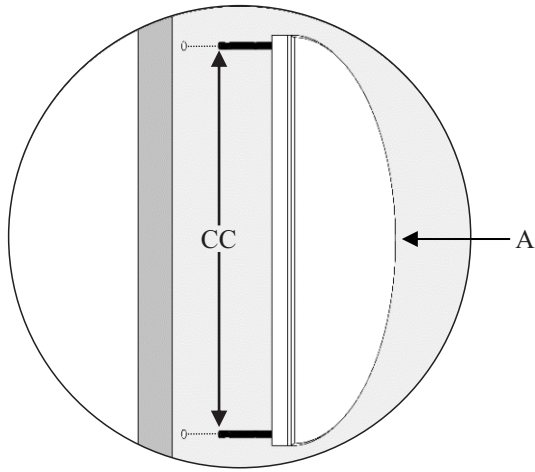
DDP.1058.XX.XX.XXX.XXXX

Including only
Glass Door
use Sleeve

Washer Washer
Insert



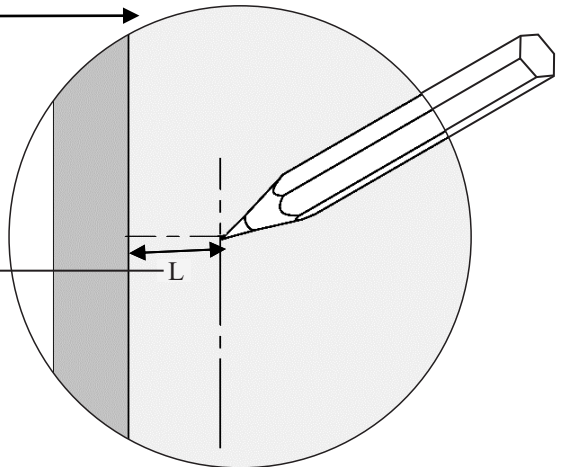
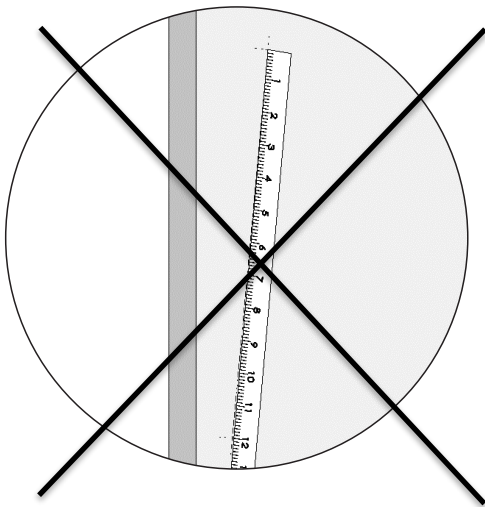
STEP-2



DDP.1058.XX.XX.XXX.XXXX

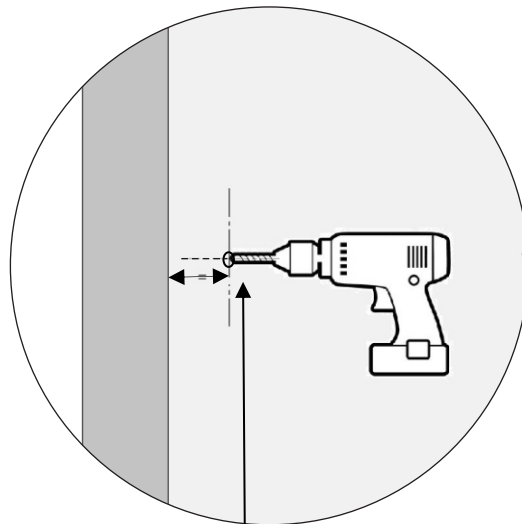
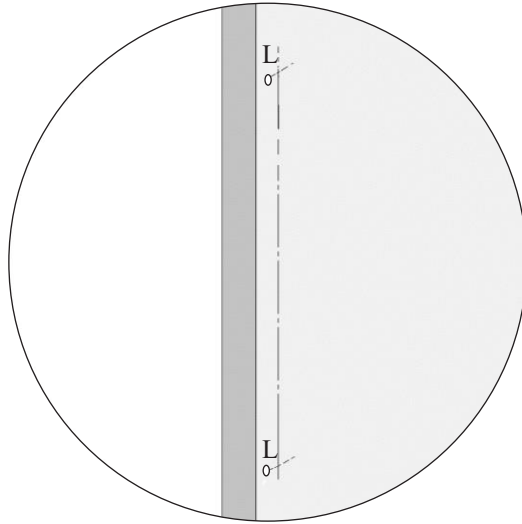
Size:-OAL

- 8"
- 12"
- 16"



- 8"OAL = 20mm
- 12"OAL = 20mm
- 16"OAL = 25mm

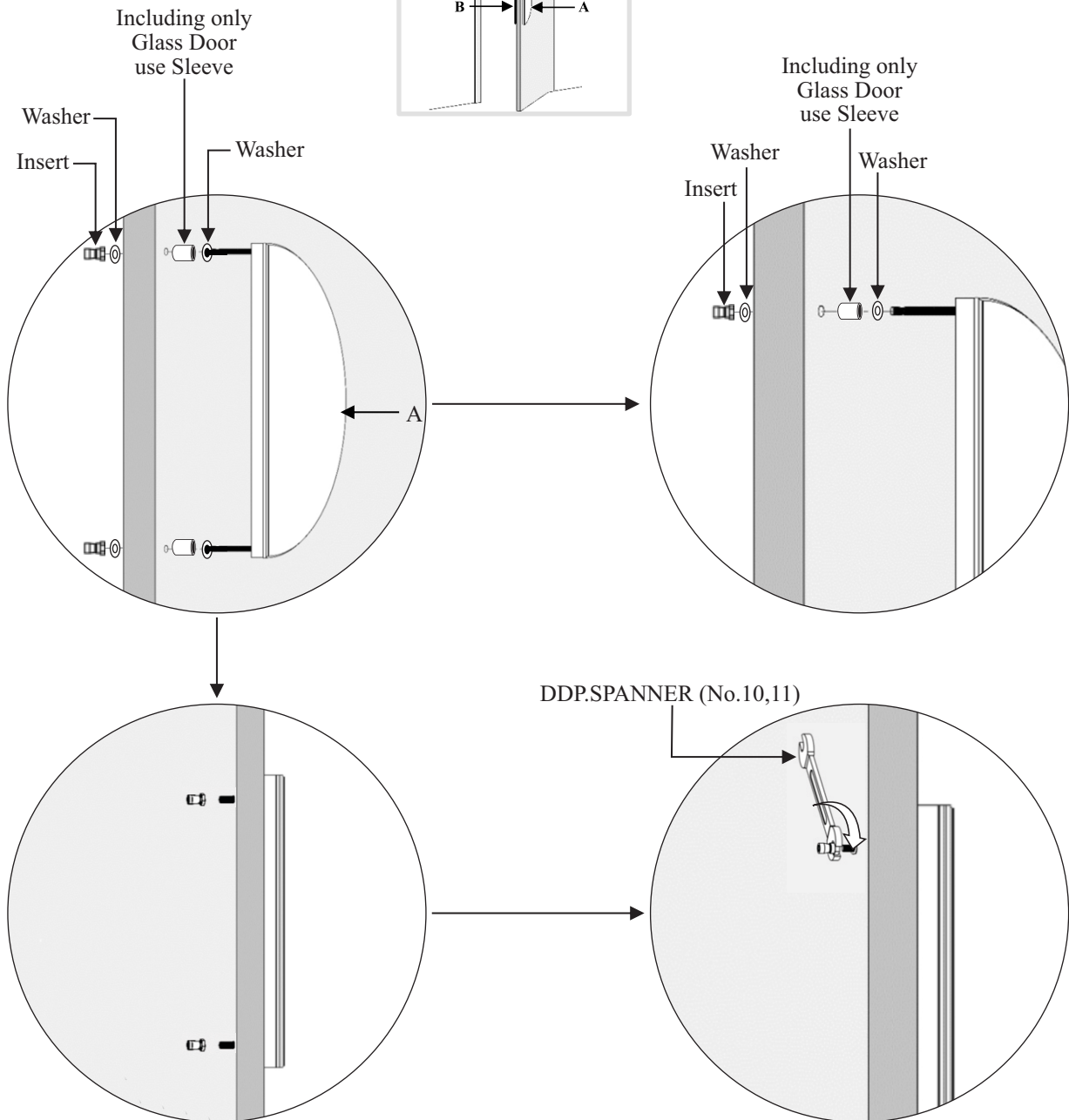
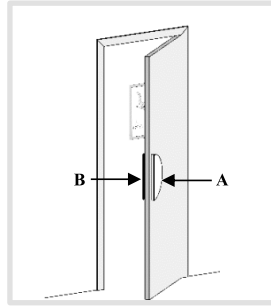
STEP-3



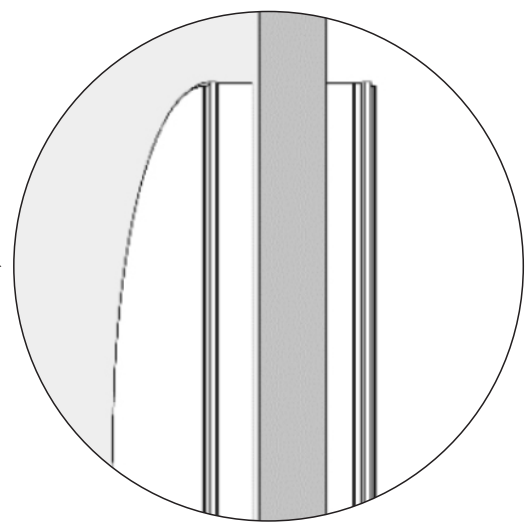
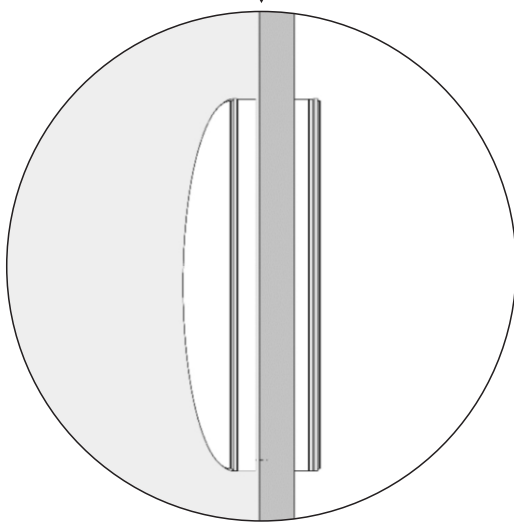
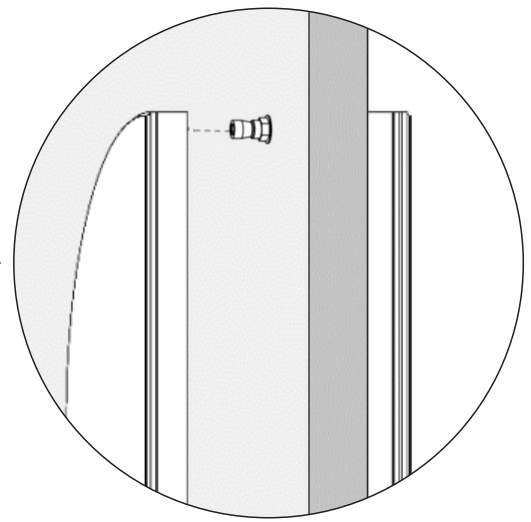
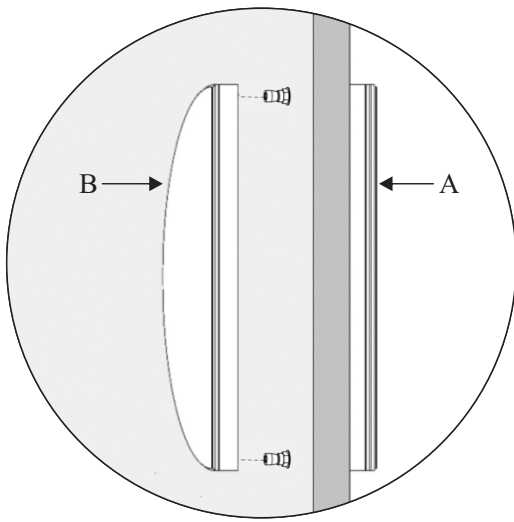
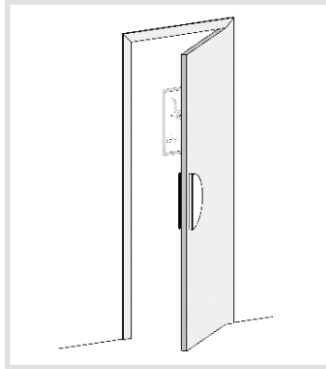
DRILL SIZE			
	Glass	Wood	Metal
DDP	3/8" (9.5mm)	1/4" (6.4mm)	1/4" (6.4mm)

STEP-4

Step Wise Packing List			
S.No.	Part Number	Qty	Steps
6	DDP.SPANNER (No.10,11)	1x	4



STEP-5



STEP-6

